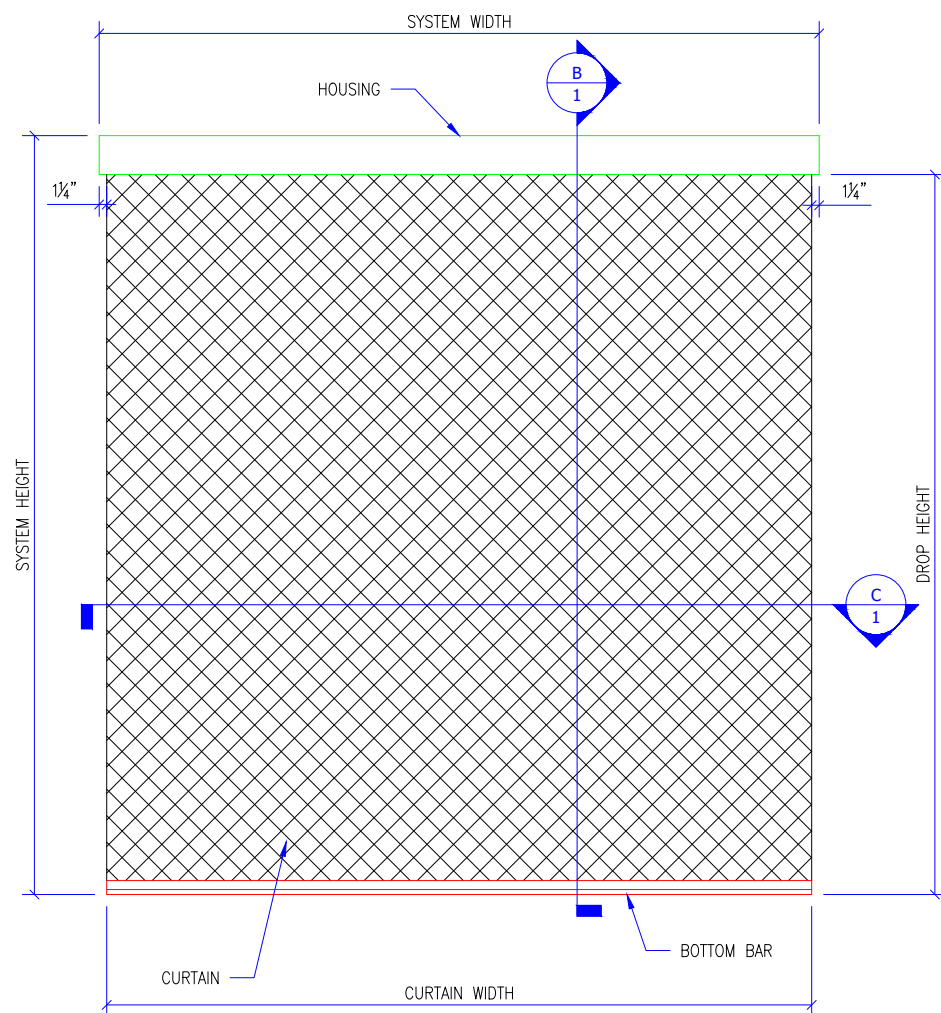
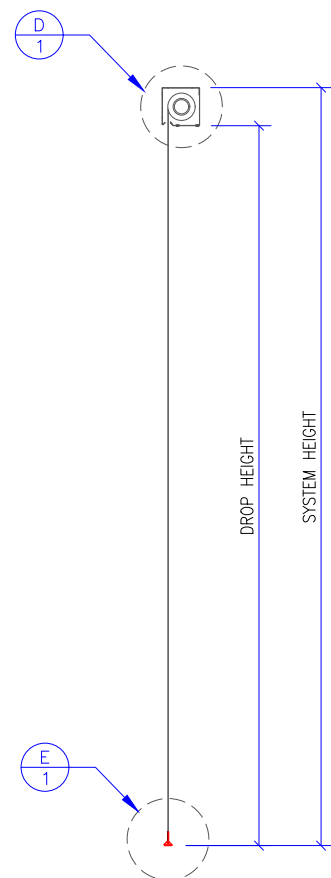


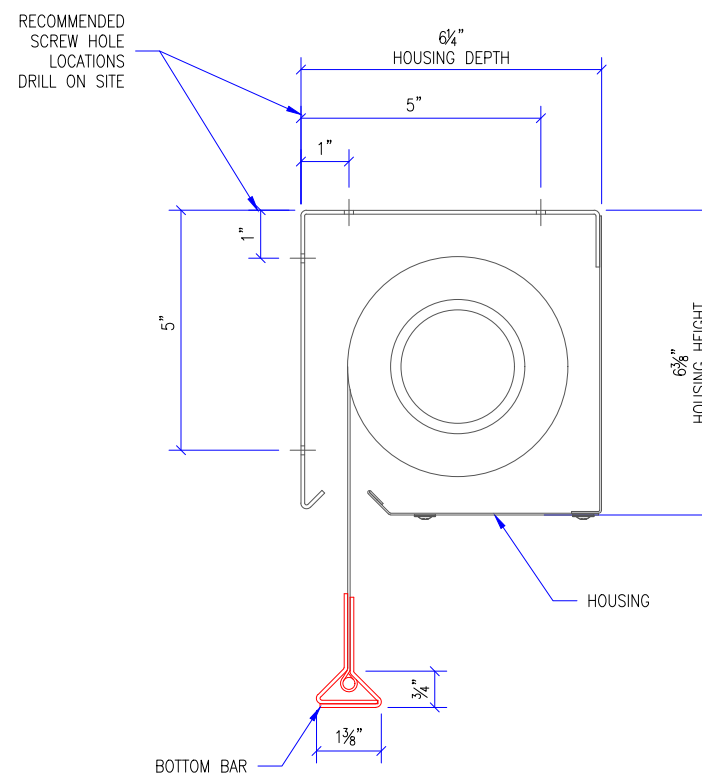
- M2100DRAFT NOTES:
- SMOKE GUARD SMOKE RATED UNITS (HOUSINGS & SIDE GUIDES) TO BE MOUNTED TO A FINISHED, SMOKE RATED ASSEMBLY OR STRUCTURE PER YOUR APPLICATION.
 - CLIENT TO PROVIDE CONTINUOUS MOUNTING SURFACE FOR STRUCTURAL AND SHEET METAL ATTACHMENT.
 - ORDER LENGTHS TO BE AT 1/4" INCREMENTS ONLY.
 - DIMENSIONS TO NOT INCLUDE HEADS OF EXTERNAL FASTENERS.



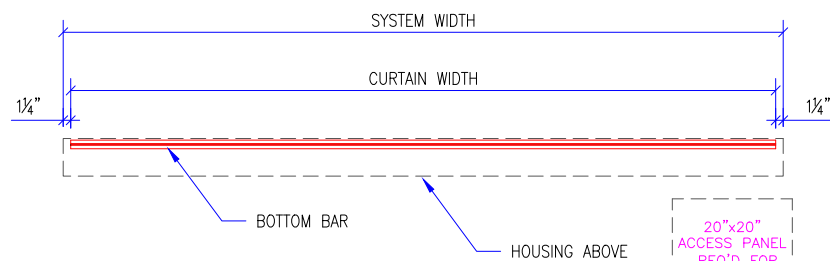
(A) ELEVATION DETAIL
SCALE: 3/8" = 1'-0"



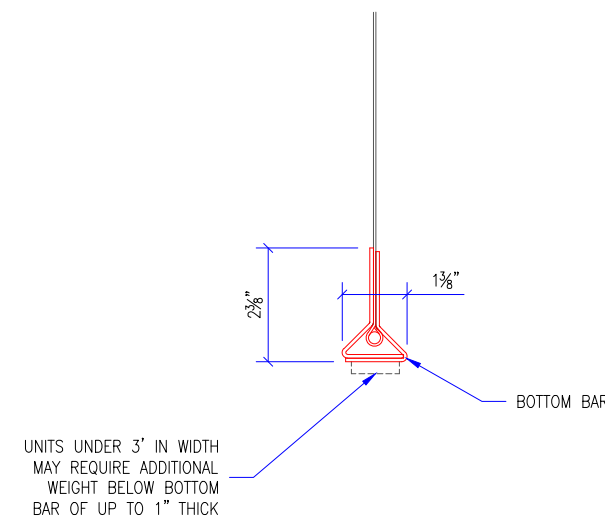
(B) SECTION DETAIL
SCALE: 3/8" = 1'-0"



(D) HOUSING DETAIL
SCALE: 3" = 1'-0"



(C) PLAN DETAIL
SCALE: 3/8" = 1'-0"



(E) M2100 BOTTOM BAR
SCALE: 3" = 1'-0"

REVISION

REVISION NUMBER	REVISION DATE	REVISION DESCRIPTION
01	7.27.20	INITIAL RELEASE

QUOTE:
CONFIGURATION:
PROJECT:
DIST.:

DESIGN SET: D1

MODEL: M2100D

M2100D ELEVATION PLAN AND SECTION

DRAWN: TM 7.27.2020

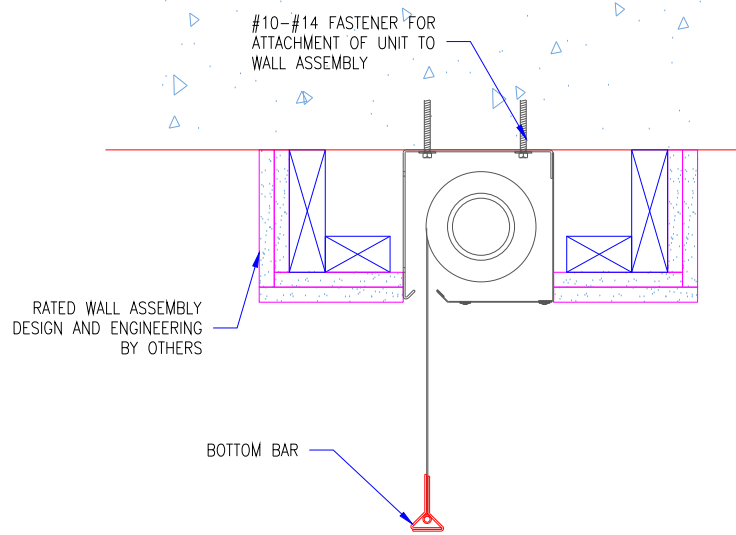
SIZE

B

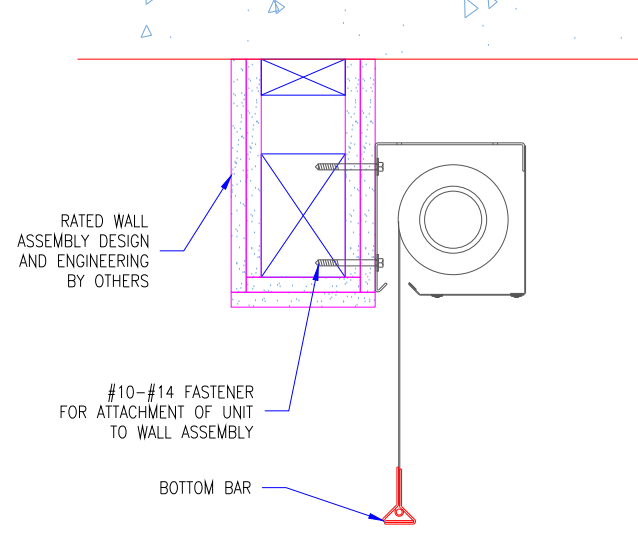
SHEET

1 OF 2

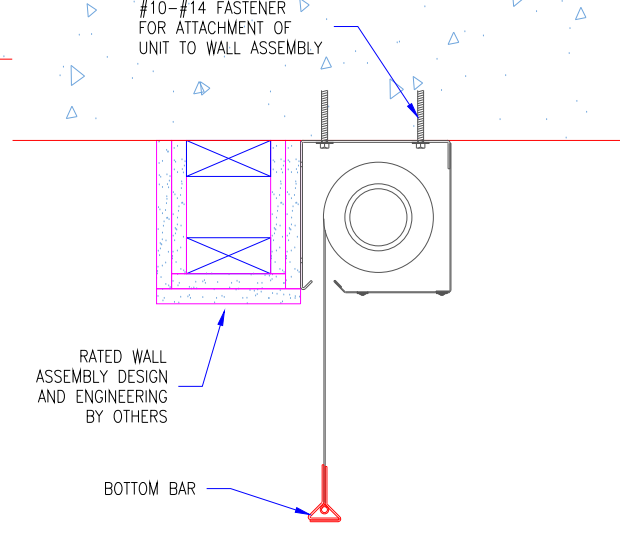
- M2100DRAFT NOTES:
1. SMOKE GUARD SMOKE RATED UNITS (HOUSINGS & SIDE GUIDES) TO BE MOUNTED TO A FINISHED, SMOKE RATED ASSEMBLY OR STRUCTURE PER YOUR APPLICATION.
 2. CLIENT TO PROVIDE CONTINUOUS MOUNTING SURFACE FOR STRUCTURAL AND SHEET METAL ATTACHMENT.
 3. ORDER LENGTHS TO BE AT 1/4" INCREMENTS ONLY.
 4. DIMENSIONS TO NOT INCLUDE HEADS OF EXTERNAL FASTENERS.



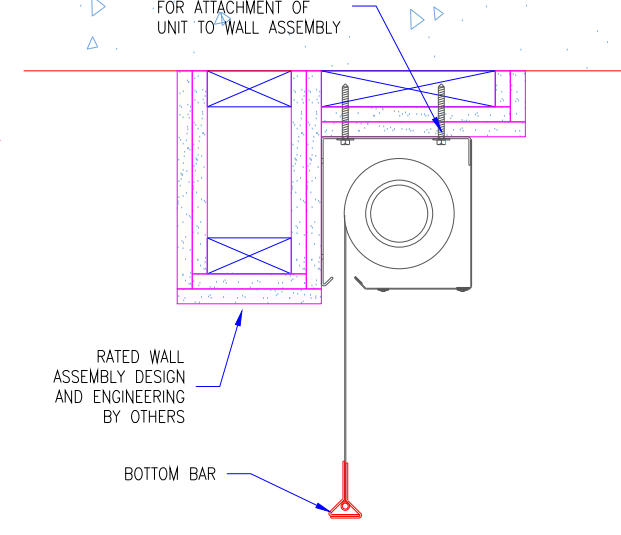
6 TOP MOUNT W/
FLUSH COVER
SCALE: 1 1/2" = 1'-0"
APPROVED FIRE RATED INSTALLATION



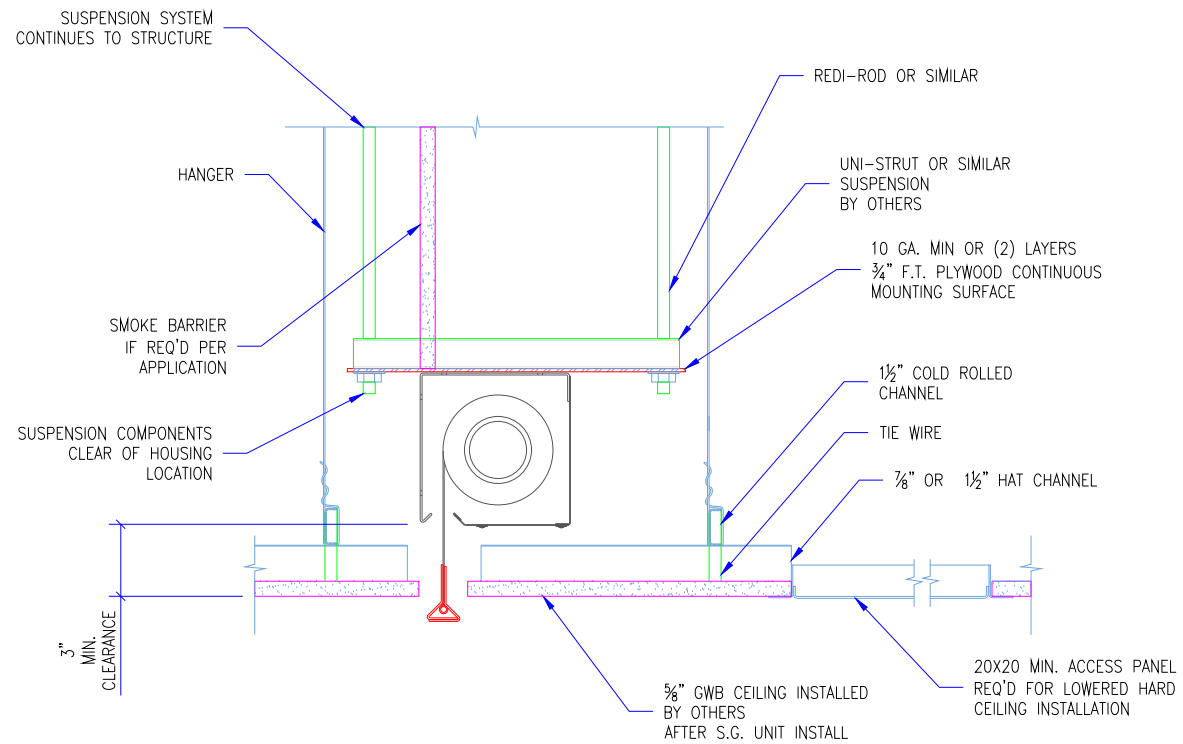
4 HEADBOX
FACE MOUNT
SCALE: 1 1/2" = 1'-0"
APPROVED FIRE RATED INSTALLATION



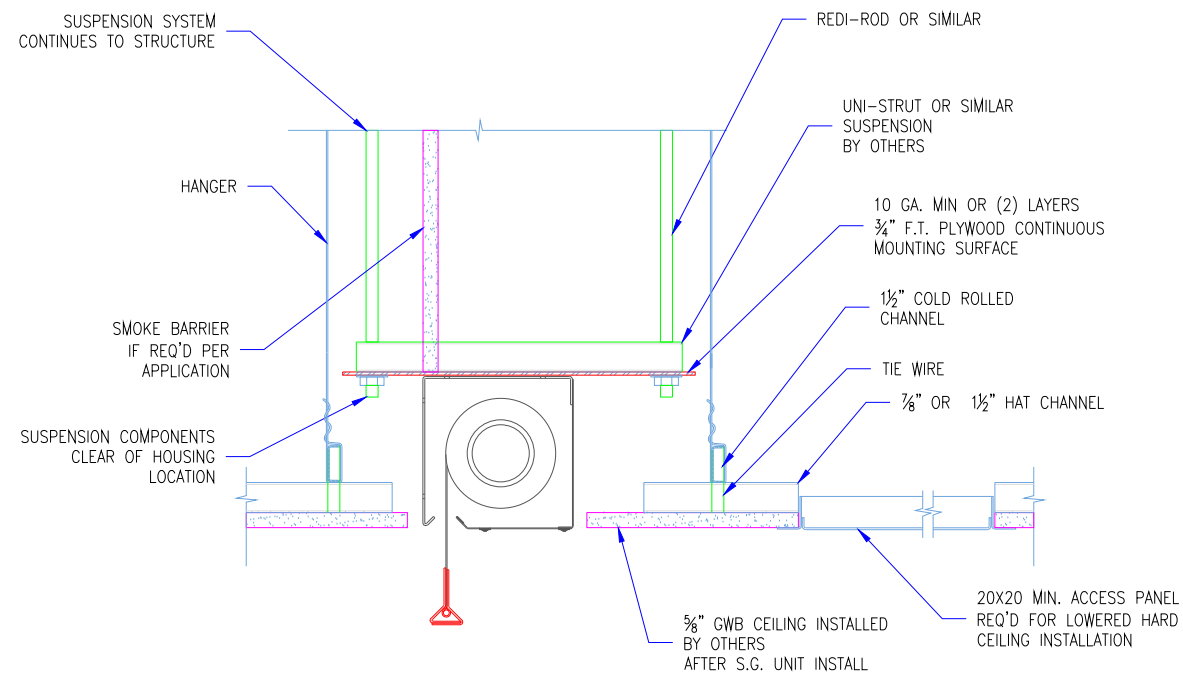
3 HEADBOX
TOP MOUNT TO DECK
SCALE: 1 1/2" = 1'-0"
APPROVED FIRE RATED INSTALLATION



1 HEADBOX AS TESTED
TOP MOUNT
SCALE: 1 1/2" = 1'-0"
APPROVED FIRE RATED INSTALLATION



5 HEADBOX DROPPED CEILING
SCALE: 1 1/2" = 1'-0"
SMOKE RATED INSTALLATION



2 HEADBOX DROPPED CEILING
SCALE: 1 1/2" = 1'-0"
SMOKE RATED INSTALLATION

REVISION		
REVISION NUMBER	REVISION DATE	REVISION DESCRIPTION
01	7.27.20	INITIAL RELEASE

QUOTE:
CONFIGURATION:
PROJECT:
DIST.:

DESIGN SET: D1
MODEL: M2100D

HEAD DETAILS
DRAWN: TM 7.27.2020

SIZE
B
SHEET
2 OF 2