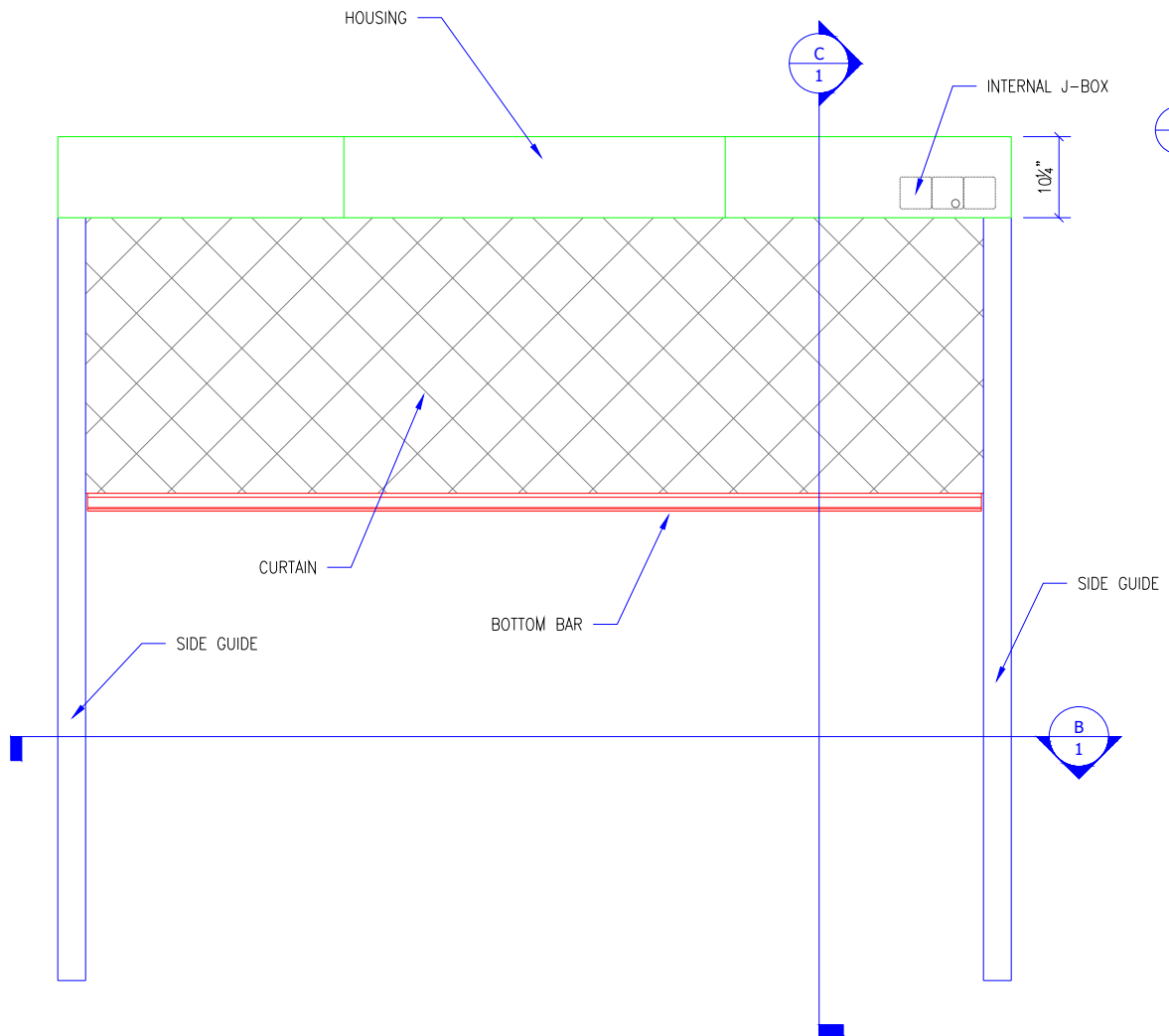
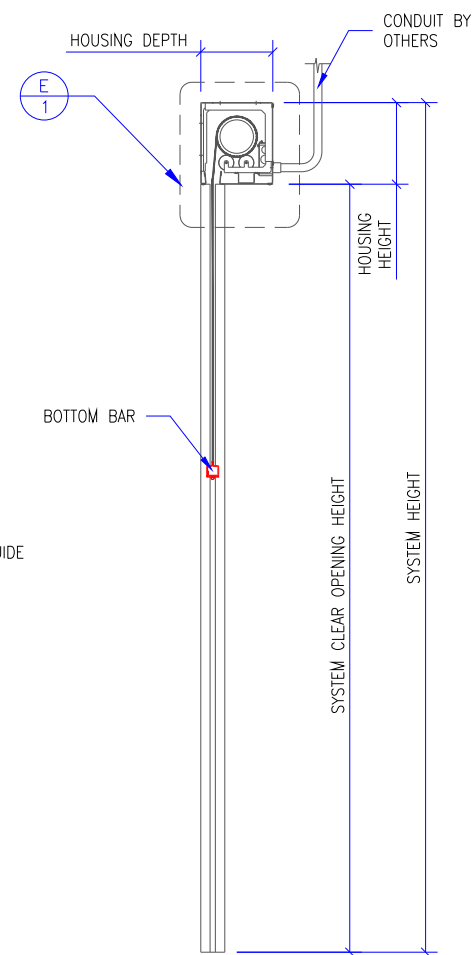


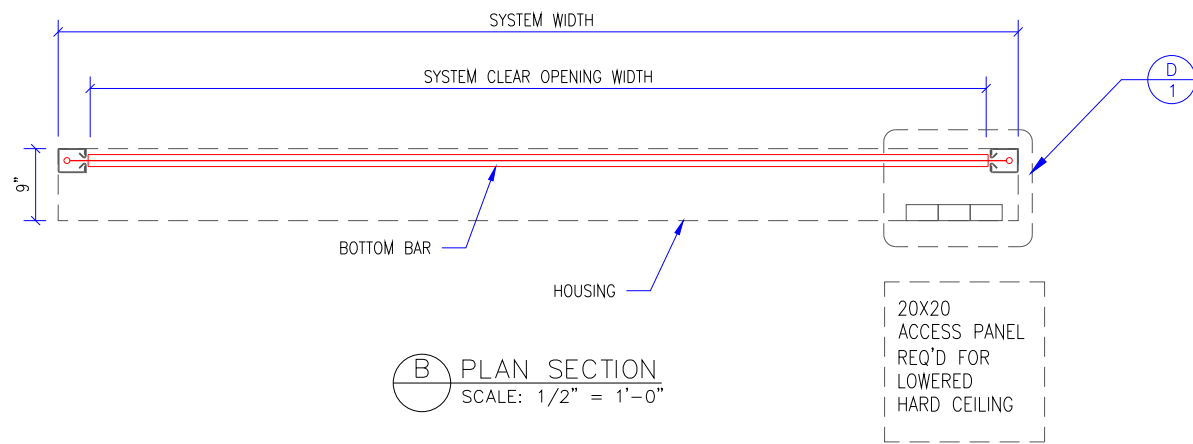
- M2500 FIRE NOTES:
1. SMOKE GUARD FIRE RATED UNITS (HOUSINGS & SIDE GUIDES) TO BE MOUNTED TO A FINISHED, FIRE RATED ASSEMBLY OR STRUCTURE PER YOUR APPLICATION.
 2. CLIENT TO PROVIDE CONTINUOUS MOUNTING SURFACE FOR STRUCTURAL AND SHEET METAL ATTACHMENT.
 3. TOLERANCE: FLOOR TO CEILING VARIANCE MUST BE WITHIN +/- 1/2" ACROSS LENGTH OF MACHINE.
 4. ORDER LENGTHS TO BE AT 1/4" INCREMENTS ONLY.
 5. DIMENSIONS TO NOT INCLUDE HEADS OF EXTERNAL FASTENERS.
 6. STATIC/DYNAMIC SYSTEM WEIGHT, 26 LBS/FT.
 7. CONTROLLER CONDUIT BY OTHERS
 8. CONTROLLER CABLE PROVIDED
 9. MAX 30 CONDUIT FEET FROM MAIN CONTROLLER TO HOUSING



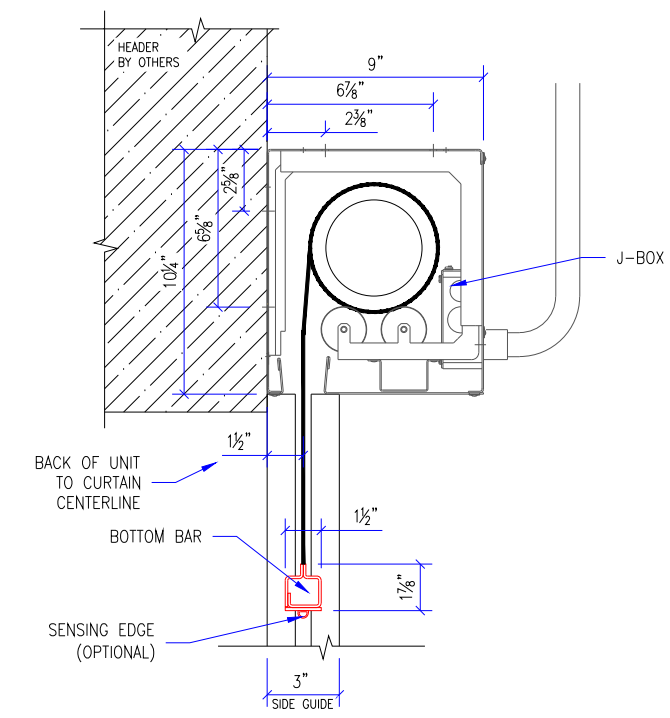
(A) ELEVATION DETAIL
SCALE: 1/2" = 1'-0"



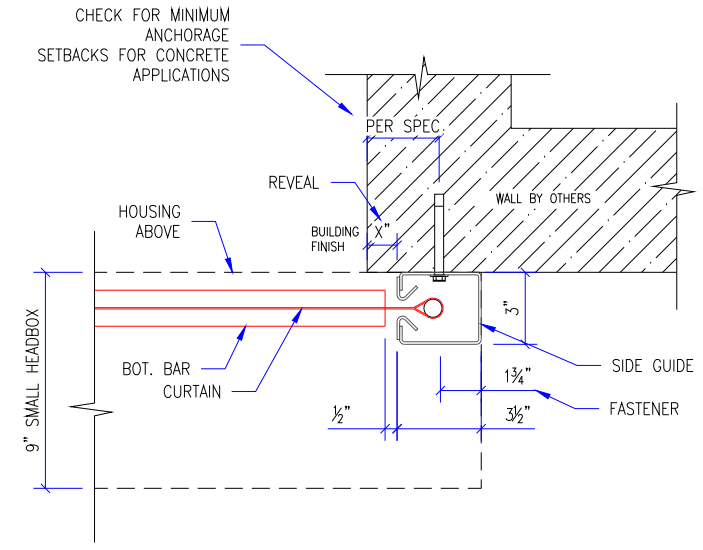
(C) ELEVATION SECTION
SCALE: 1/2" = 1'-0"



(B) PLAN SECTION
SCALE: 1/2" = 1'-0"



(E) DETAIL E: HEAD BOX DETAIL - SMALL HOUSING
SCALE: 1 1/2" = 1'-0" MAX. 12" CLEAR OPENING HEIGHT



(D) DETAIL D: PLAN DETAIL AT GUIDE
SCALE: 1 1/2" = 1'-0"

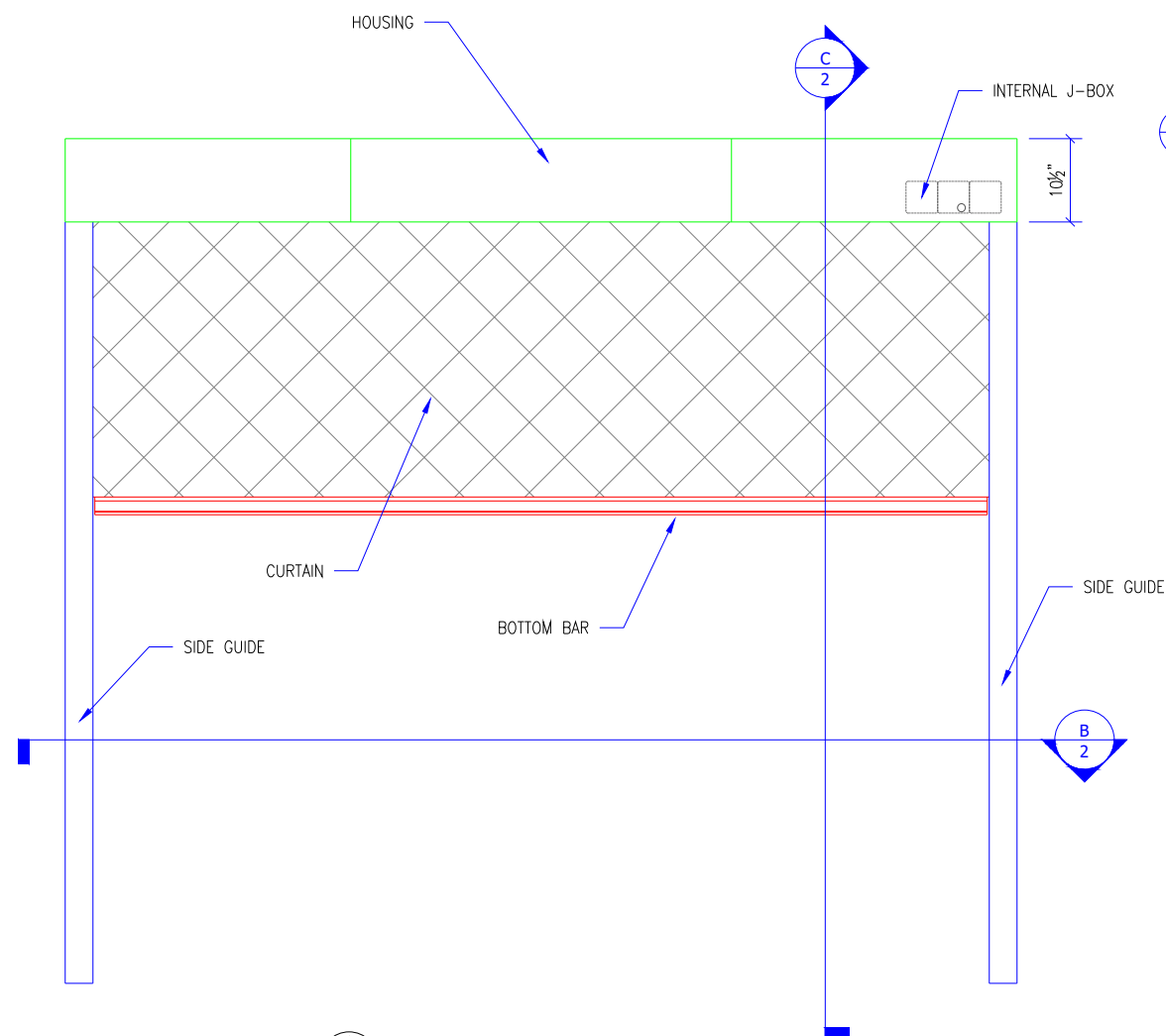
REVISION

REVISION NUMBER	REVISION DATE	REVISION DESCRIPTION
01	7.28.20	INITIAL RELEASE

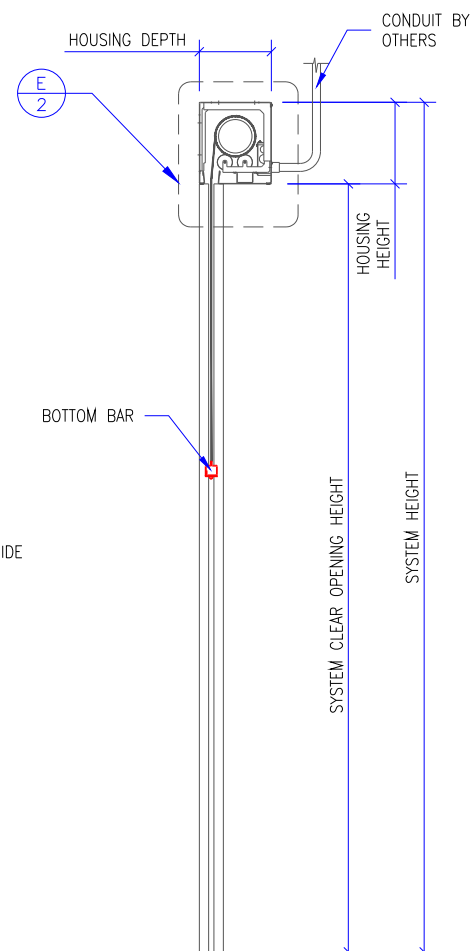
QUOTE:
CONFIGURATION:
PROJECT:
DIST.:

DESIGN SET: D1	SIZE B
MODEL: M2500	SHEET 1 OF 5
M2500 SMALL HEADBOX ELEVATION PLAN AND SECTION	
DRAWN: TLM	7.28.2020

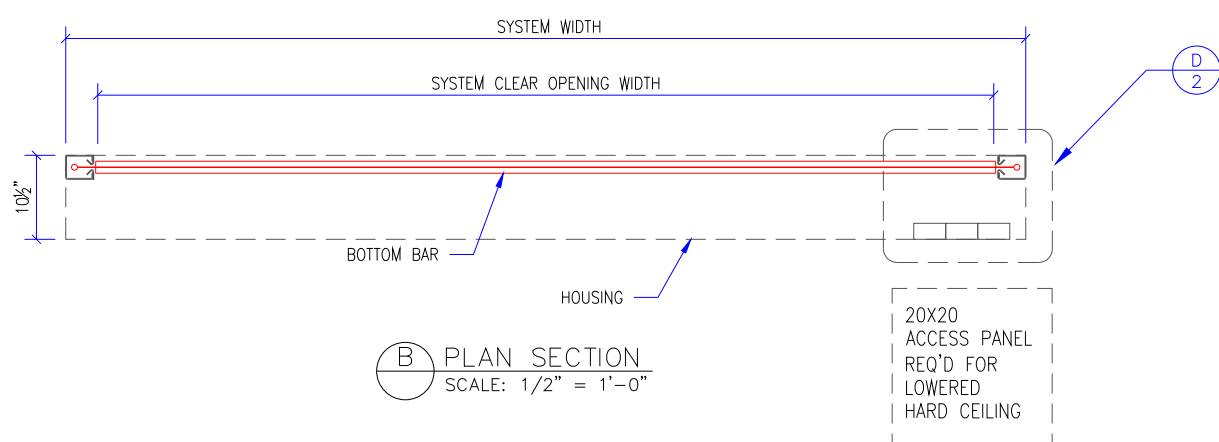
- M2500 FIRE NOTES:
1. SMOKE GUARD FIRE RATED UNITS (HOUSINGS & SIDE GUIDES) TO BE MOUNTED TO A FINISHED, FIRE RATED ASSEMBLY OR STRUCTURE PER YOUR APPLICATION.
 2. CLIENT TO PROVIDE CONTINUOUS MOUNTING SURFACE FOR STRUCTURAL AND SHEET METAL ATTACHMENT.
 3. TOLERANCE: FLOOR TO CEILING VARIANCE MUST BE WITHIN +/- 1/2" ACROSS LENGTH OF MACHINE.
 4. ORDER LENGTHS TO BE AT 1/4" INCREMENTS ONLY.
 5. DIMENSIONS TO NOT INCLUDE HEADS OF EXTERNAL FASTENERS.
 6. STATIC/DYNAMIC SYSTEM WEIGHT, 26 LBS/FT.
 7. CONTROLLER CONDUIT BY OTHERS
 8. CONTROLLER CABLE PROVIDED
 9. MAX 30 CONDUIT FEET FROM MAIN CONTROLLER TO HOUSING



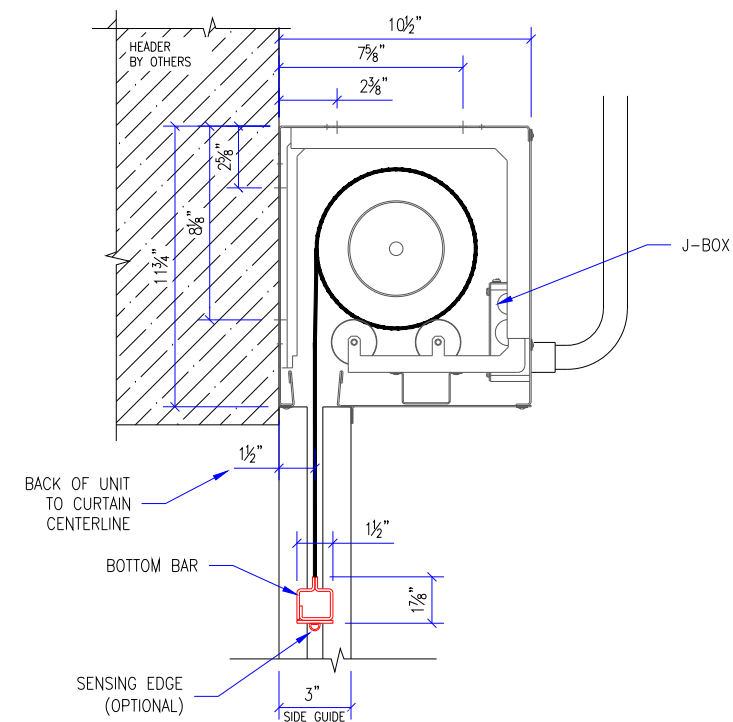
A ELEVATION DETAIL
SCALE: 1/2" = 1'-0"



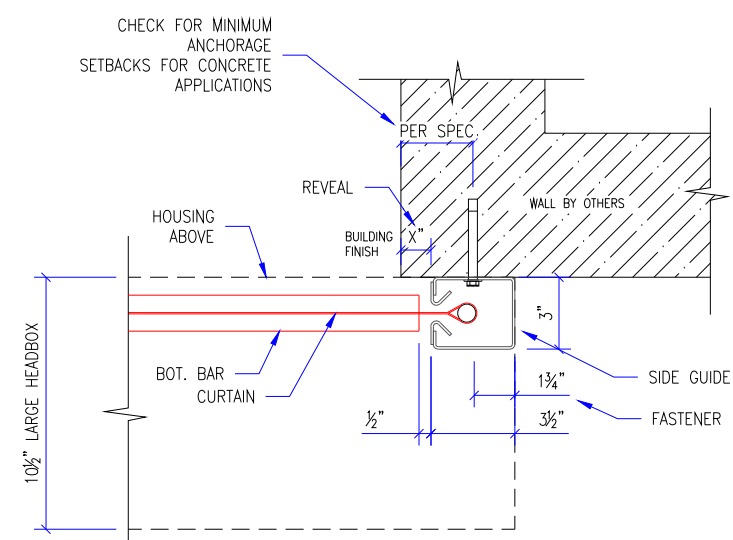
C ELEVATION SECTION
SCALE: 1/2" = 1'-0"



B PLAN SECTION
SCALE: 1/2" = 1'-0"



E DETAIL E: HEAD BOX DETAIL-LARGE HOUSING
SCALE: 1 1/2" = 1'-0" OVER 12" CLEAR OPENING HEIGHT



D DETAIL D: PLAN DETAIL AT GUIDE
SCALE: 1 1/2" = 1'-0"

REVISION

REVISION NUMBER	REVISION DATE	REVISION DESCRIPTION
01	7.28.20	INITIAL RELEASE

QUOTE:
CONFIGURATION:
PROJECT:
DIST.:

DESIGN SET: D1

MODEL: M2500

M2500 LARGE HEAD BOX
ELEVATION PLAN AND SECTION

DRAWN: TLM 7.28.2020

SIZE

B

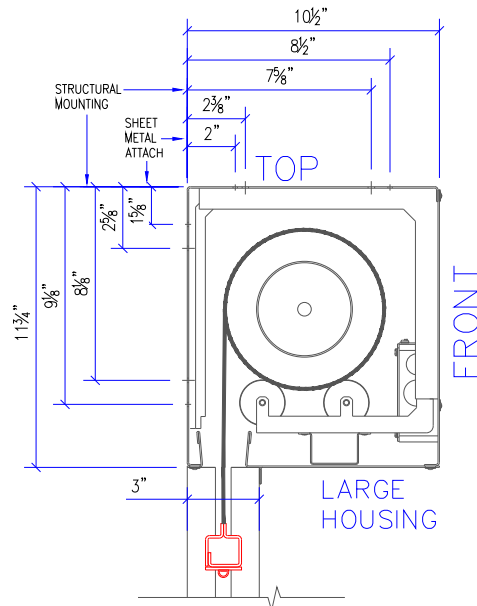
SHEET

2 OF 5

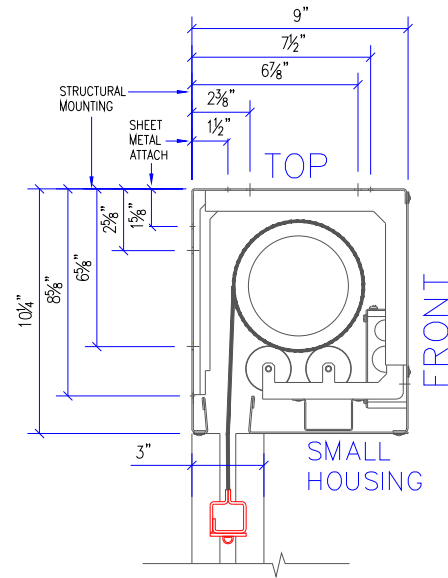
M2500 MOUNTING NOTES
 THE FOLLOWING APPLY FOR EITHER OVERHEAD OR REAR MOUNTED SYSTEMS:

STRUCTURAL ATTACHMENT-
 CLIENT TO PROVIDE SUFFICIENT BACKING FOR LOADS GIVEN PER UNIT. STRUCTURAL ATTACHMENT LOCATIONS OCCUR AT 18" FROM EACH END, AND THEN NO MORE THAN 9'-5" ON CENTERS - SEE SHOP DRAWINGS FOR YOUR SPECIFIC HOUSING. HOLES FOR (2) 1/4" FASTENERS PROVIDED AT EACH LOCATION

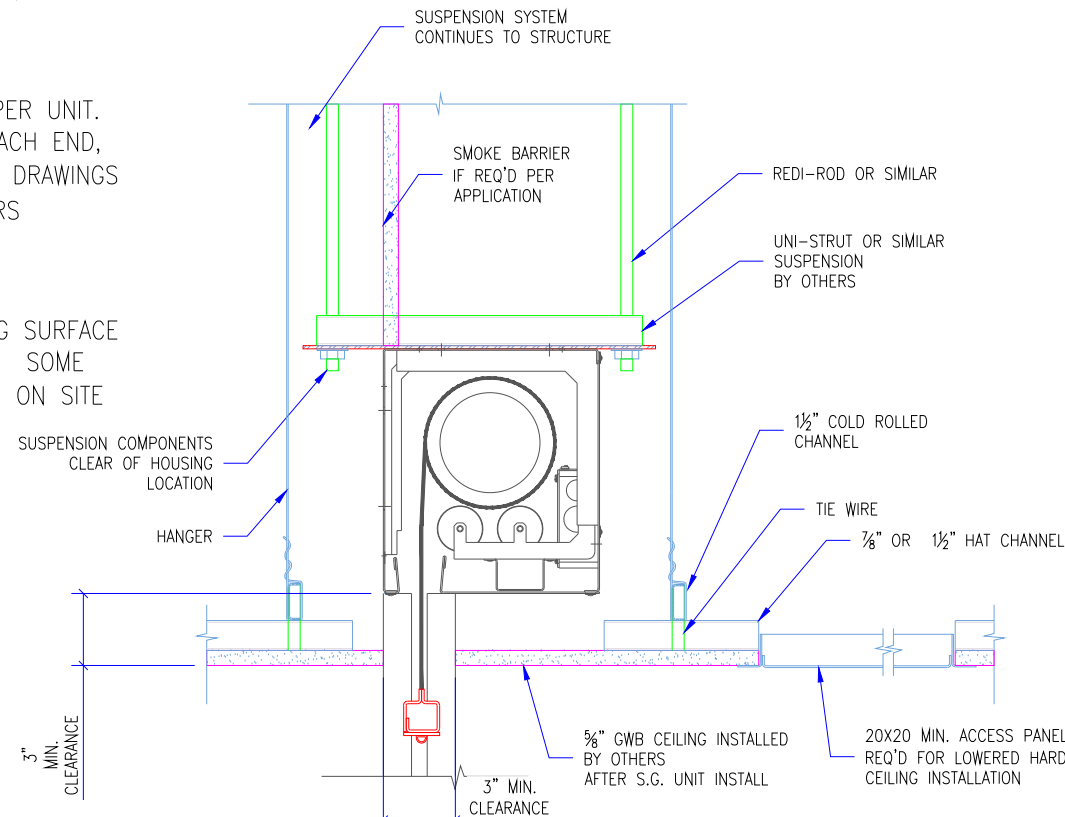
SHEETMETAL ATTACHMENT-
 HOUSINGS MUST BE SECURED TO BACKING ON THE MOUNTING SURFACE AT NO MORE 48" ON CENTER, (2) FASTENERS PER LOCATION. SOME HOLES FOR #10 SCREWS PROVIDED, SOME REQUIRE DRILLING ON SITE



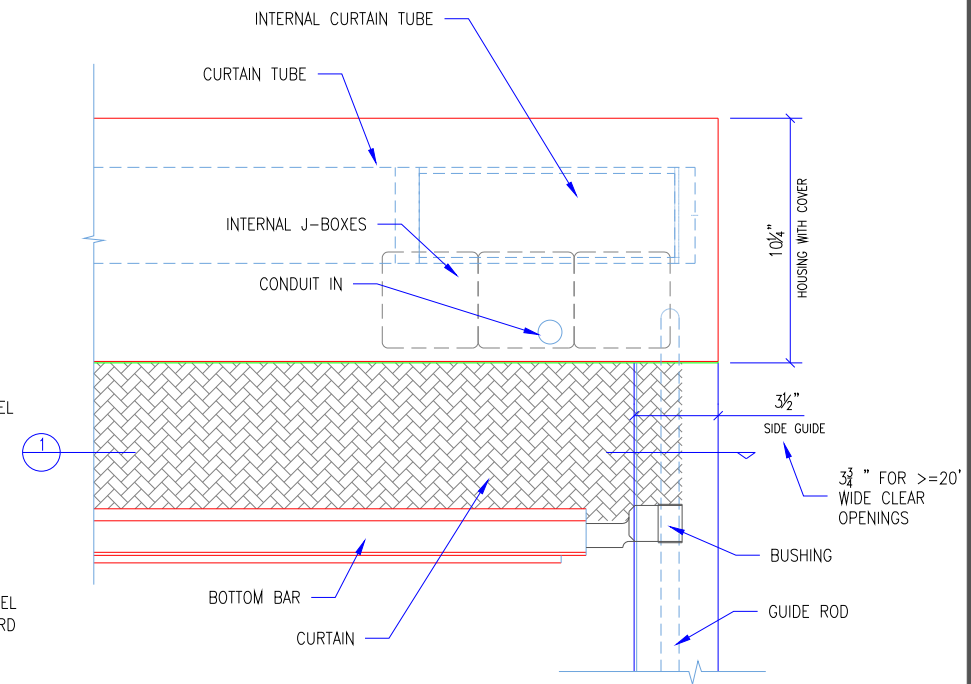
6 M2500 LARGE HOUSING DIMENSIONS
 SCALE: 1 1/2" = 1'-0" 12' AND GREATER CLEAR OPENING HEIGHT



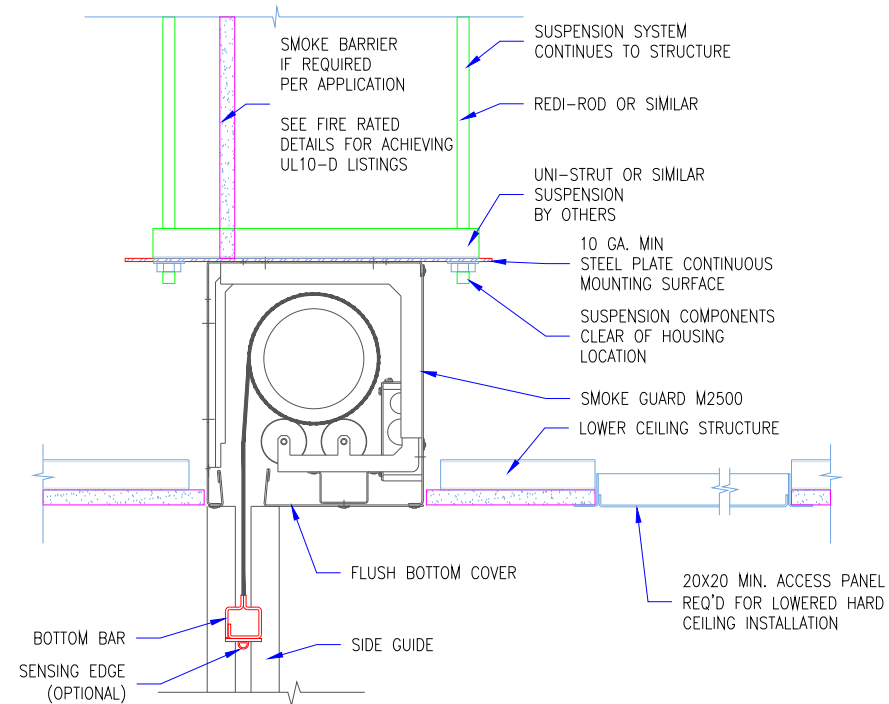
5 M2500 SMALL HOUSING DIMENSIONS
 SCALE: 1 1/2" = 1'-0" UNDER 12' CLEAR OPENING HEIGHT



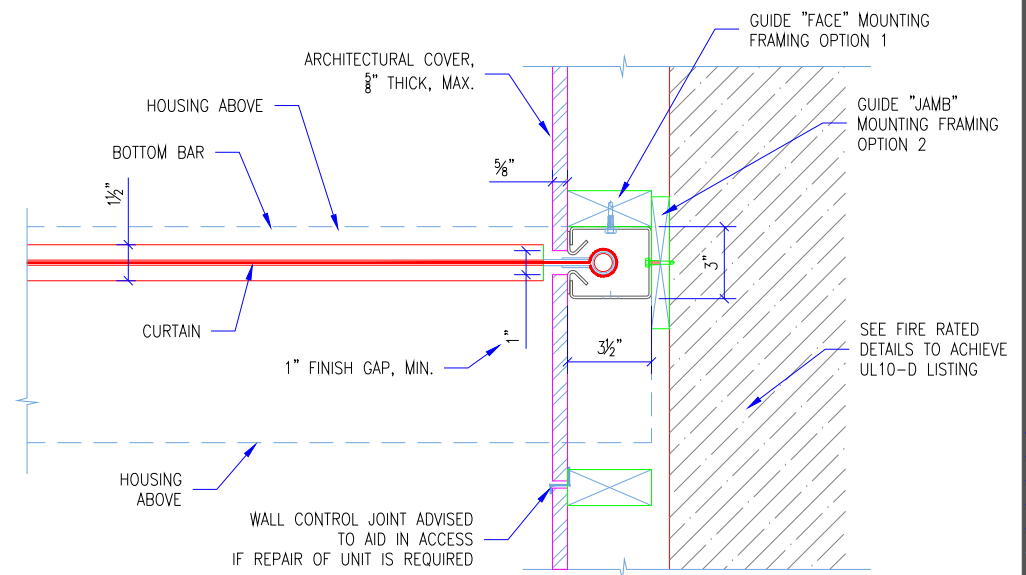
4 M2500 DROPPED CEILING SMOKE RATED SHOWN
 SCALE: 1 1/2" = 1'-0"



2 M2500 ELEVATION
 SCALE: 1 1/2" = 1'-0" SINGLE MOTOR (UNDER 20' WIDTH OPENING)



3 M2500 FLUSH COVER- SMOKE RATED SHOWN
 SCALE: 1 1/2" = 1'-0"



1 M2500 SIDE GUIDE DETAIL SMOKE CONDITION SHOWN
 SCALE: 1 1/2" = 1'-0" SINGLE MOTOR (UNDER 20' WIDTH OPENING)



287 N. Maple Grove
 Boise, ID 83704
 800.574.0330
 www.smokeguard.com

- M2500 FIRE NOTES:
- SMOKE GUARD FIRE RATED UNITS (HOUSINGS & SIDE GUIDES) TO BE MOUNTED TO A FINISHED, FIRE RATED ASSEMBLY OR STRUCTURE PER YOUR APPLICATION.
 - CLIENT TO PROVIDE CONTINUOUS MOUNTING SURFACE FOR STRUCTURAL AND SHEET METAL ATTACHMENT.
 - TOLERANCE: FLOOR TO CEILING VARIANCE MUST BE WITHIN +/- 1/2" ACROSS LENGTH OF MACHINE.
 - ORDER LENGTHS TO BE AT 1/4" INCREMENTS ONLY.
 - DIMENSIONS TO NOT INCLUDE HEADS OF EXTERNAL FASTENERS.
 - STATIC/DYNAMIC SYSTEM WEIGHT, 26 LBS/FT.
 - CONTROLLER CONDUIT BY OTHERS
 - CONTROLLER CABLE PROVIDED
 - MAX 30 CONDUIT FEET FROM MAIN CONTROLLER TO HOUSING

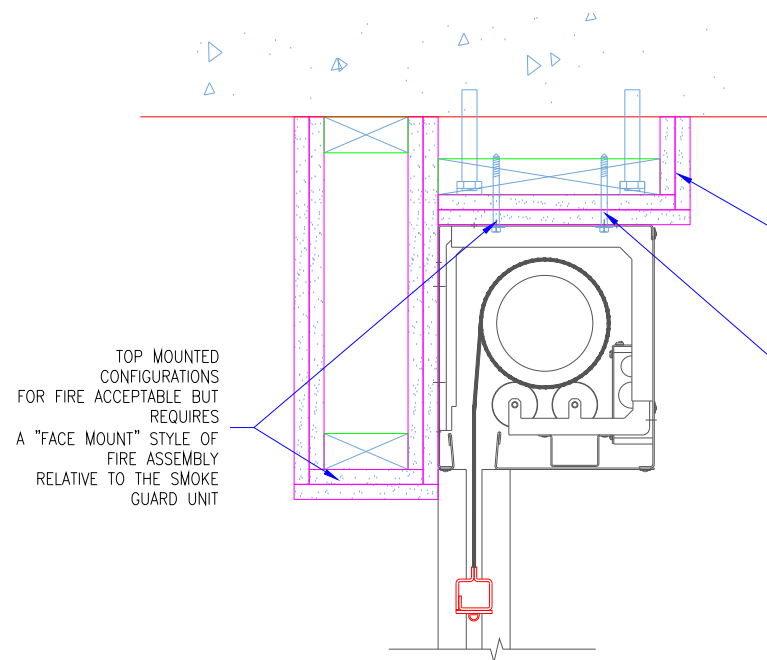
REVISION		
REVISION NUMBER	REVISION DATE	REVISION DESCRIPTION
01	7.28.20	INITIAL RELEASE

QUOTE:
 CONFIGURATION:
 PROJECT:
 DIST.:

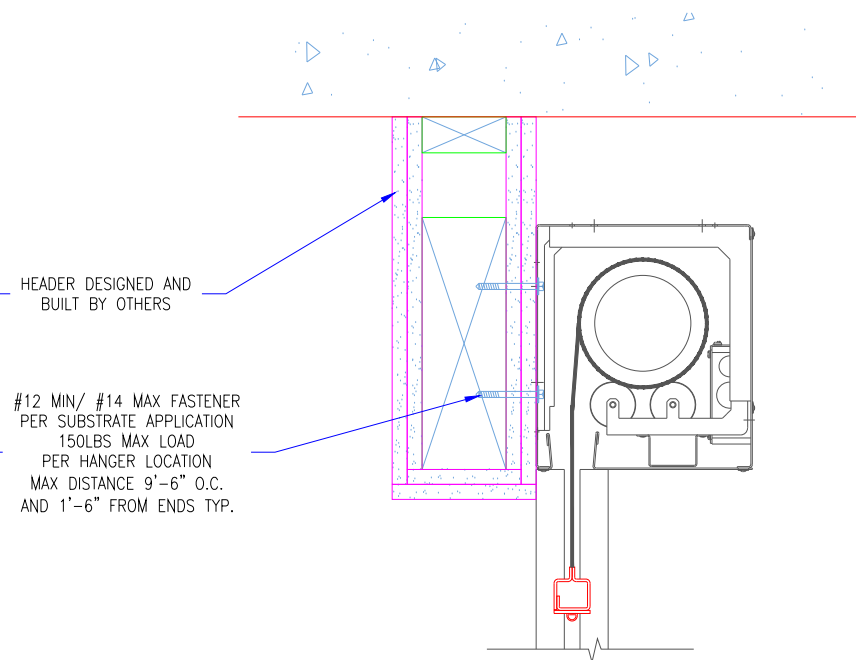
DESIGN SET: D1	SIZE B
MODEL: M2500	SHEET 3 OF 5
M2500 MOUNTING DETAILS	
DRAWN: TLM	7.28.2020

PAPER SIZE: 11 X 17

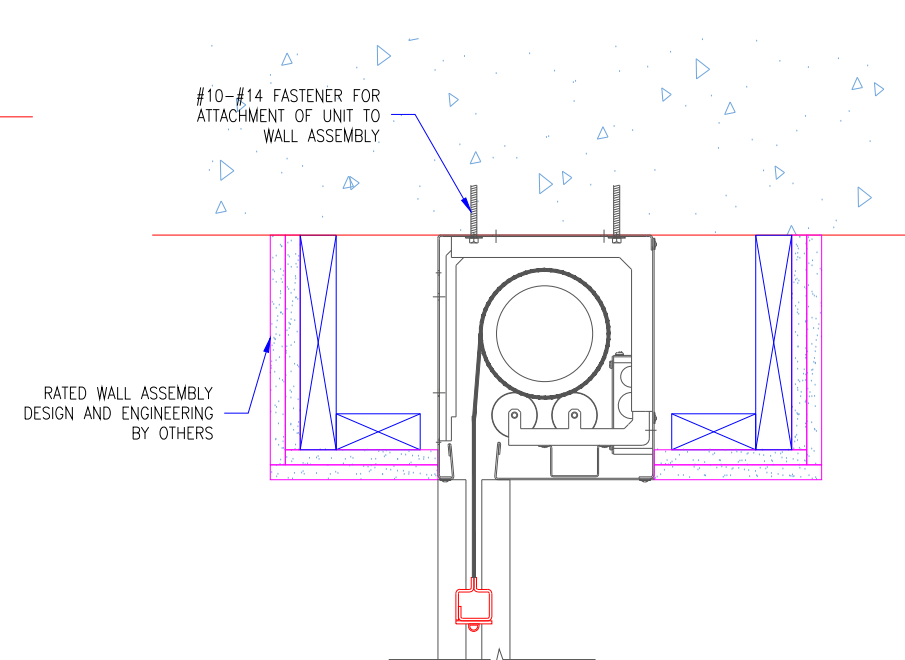
- M2500 FIRE NOTES:
1. SMOKE GUARD FIRE RATED UNITS (HOUSINGS & SIDE GUIDES) TO BE MOUNTED TO A FINISHED, FIRE RATED ASSEMBLY OR STRUCTURE PER YOUR APPLICATION.
 2. CLIENT TO PROVIDE CONTINUOUS MOUNTING SURFACE FOR STRUCTURAL AND SHEET METAL ATTACHMENT.
 3. TOLERANCE: FLOOR TO CEILING VARIANCE MUST BE WITHIN +/- 1/2" ACROSS LENGTH OF MACHINE.
 4. ORDER LENGTHS TO BE AT 1/4" INCREMENTS ONLY.
 5. DIMENSIONS TO NOT INCLUDE HEADS OF EXTERNAL FASTENERS.
 6. STATIC/DYNAMIC SYSTEM WEIGHT, 26 LBS/FT.
 7. CONTROLLER CONDUIT BY OTHERS
 8. CONTROLLER CABLE PROVIDED
 9. MAX 30 CONDUIT FEET FROM MAIN CONTROLLER TO HOUSING



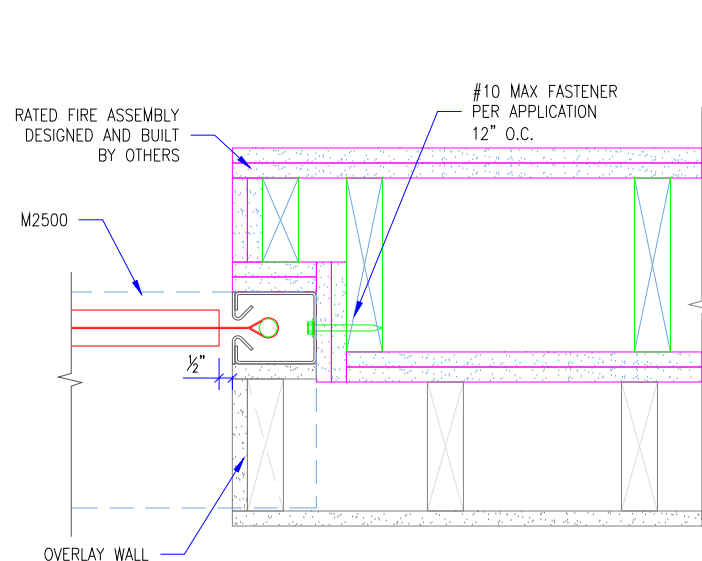
6 HEADBOX AT ROLLER- TOP MOUNT
SCALE: 1 1/2" = 1'-0"
APPROVED FIRE RATED INSTALLATION



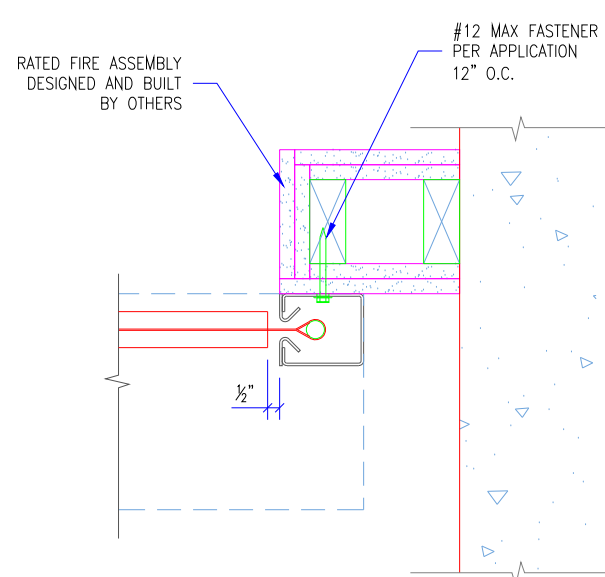
4 HEADBOX AT ROLLER- FACE MOUNT
SCALE: 1 1/2" = 1'-0"
APPROVED FIRE RATED INSTALLATION



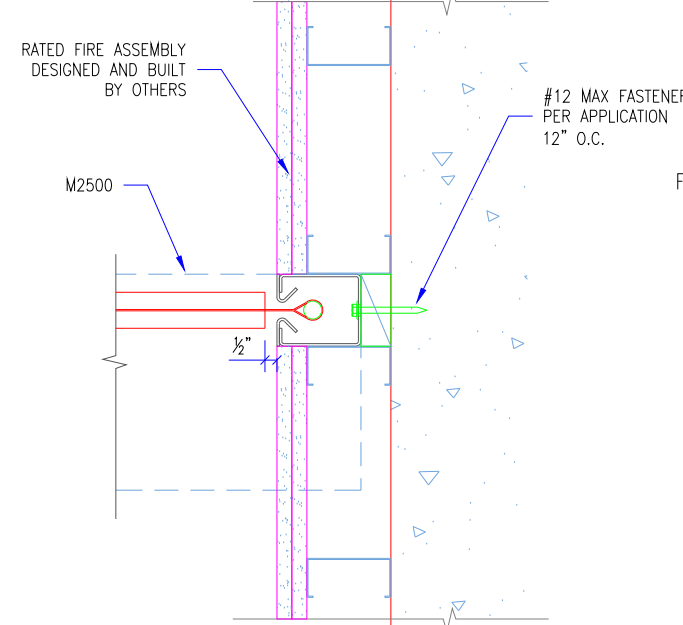
2 TOP MOUNT W/ FLUSH COVER
SCALE: 1 1/2" = 1'-0"
APPROVED FIRE RATED INSTALLATION



5 GUIDE DETAIL- JAMB MOUNT @ STAGGERED RATED ASSEMBLY INLINE W/WALL NON RATED OVERLAY
SCALE: 1 1/2" = 1'-0"
APPROVED FIRE RATED INSTALLATION



3 SIDE GUIDE AS TESTED- FACE MOUNT
SCALE: 1 1/2" = 1'-0"
APPROVED FIRE RATED INSTALLATION



1 SIDE GUIDE DETAIL- BURIED
SCALE: 1 1/2" = 1'-0"
APPROVED FIRE RATED INSTALLATION

FIRE RATED DETAILS

- NOTES:
- WALL ASSEMBLY RATINGS ARE INDEPENDENT OF THE SG-M2500
 - AN APPROVED WALL ASSEMBLY IN ORIENTATION SHOWN IS REQUIRED TO MEET UL10d LISTING (FIRE LISTING)

* SHOWN DOUBLE LAYER (2HR) USE PROPER LAYERING FOR YOUR FIRE APPLICATION

REVISION

REVISION NUMBER	REVISION DATE	REVISION DESCRIPTION
01	7.28.20	INITIAL RELEASE

QUOTE:
CONFIGURATION:
PROJECT:
DIST.:

DESIGN SET: D1

MODEL: M2500

M2500 MOUNTING DETAILS

DRAWN: TLM 7.28.2020

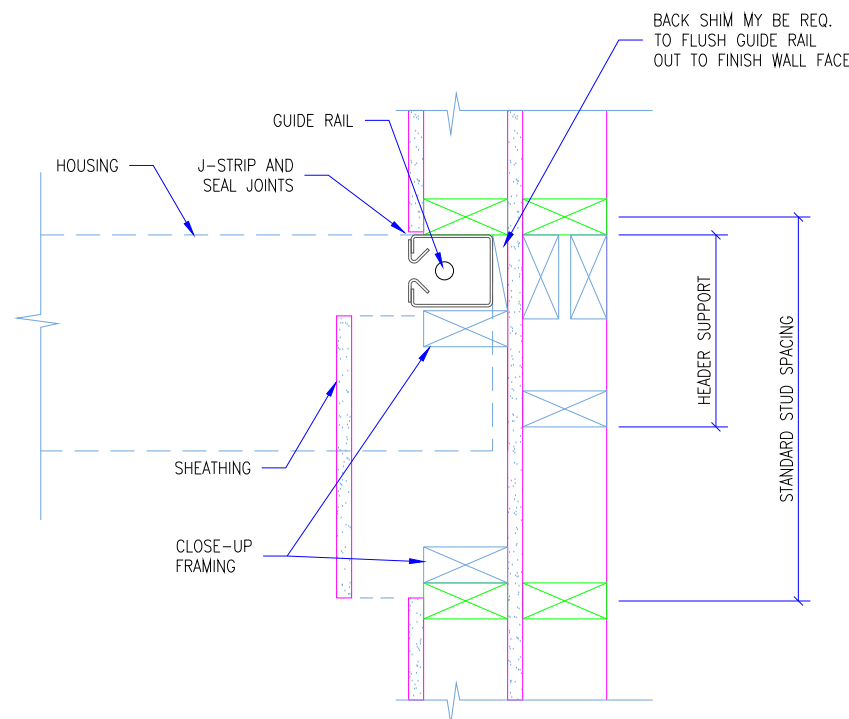
SIZE

B

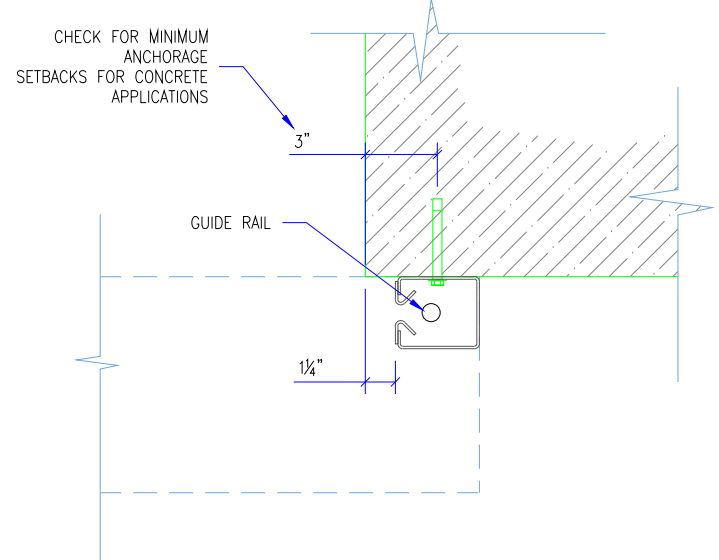
SHEET

4 OF 5

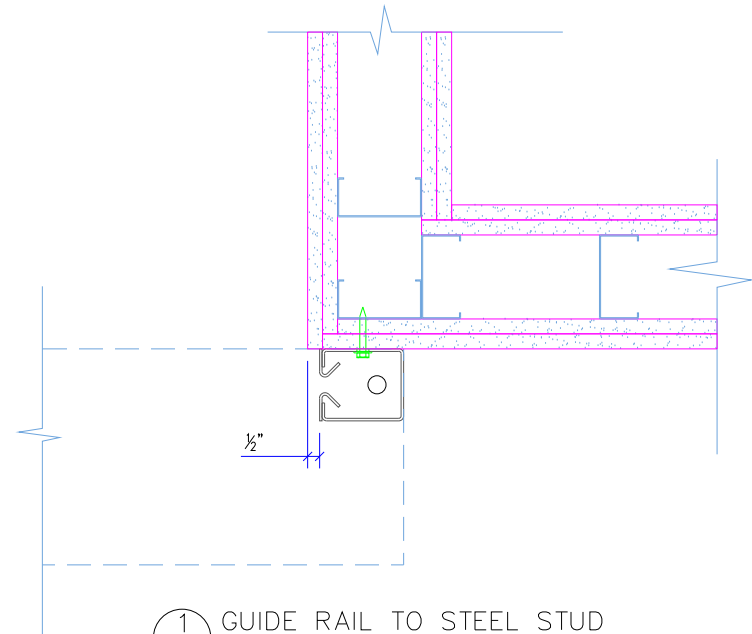
- M2500 FIRE NOTES:
1. SMOKE GUARD FIRE RATED UNITS (HOUSINGS & SIDE GUIDES) TO BE MOUNTED TO A FINISHED, FIRE RATED ASSEMBLY OR STRUCTURE PER YOUR APPLICATION.
 2. CLIENT TO PROVIDE CONTINUOUS MOUNTING SURFACE FOR STRUCTURAL AND SHEET METAL ATTACHMENT.
 3. TOLERANCE: FLOOR TO CEILING VARIANCE MUST BE WITHIN +/- 1/2" ACROSS LENGTH OF MACHINE.
 4. ORDER LENGTHS TO BE AT 1/4" INCREMENTS ONLY.
 5. DIMENSIONS TO NOT INCLUDE HEADS OF EXTERNAL FASTENERS.
 6. STATIC/DYNAMIC SYSTEM WEIGHT, 26 LBS/FT.
 7. CONTROLLER CONDUIT BY OTHERS
 8. CONTROLLER CABLE PROVIDED
 9. MAX 30 CONDUIT FEET FROM MAIN CONTROLLER TO HOUSING



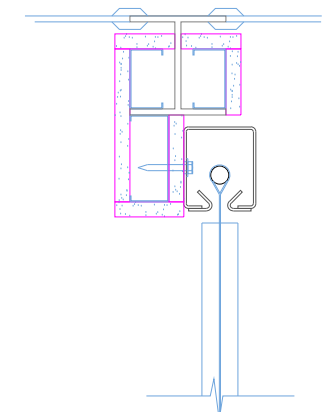
6 BURIED SIDE GUIDE DETAIL - SMOKE RATED SHOWN
SCALE: 1 1/2" = 1'-0"
APPROVED FIRE RATED INSTALLATION



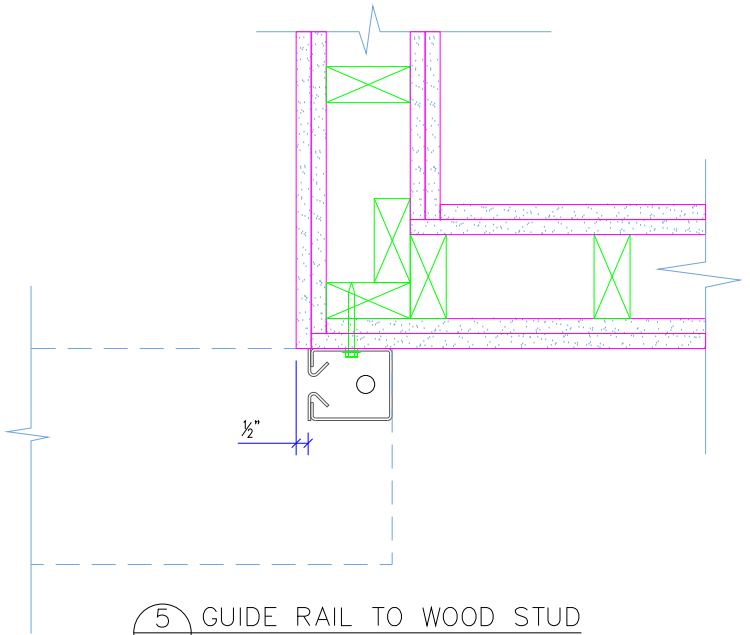
4 GUIDE RAIL TO MASONRY
SCALE: 1 1/2" = 1'-0"
APPROVED FIRE RATED INSTALLATION



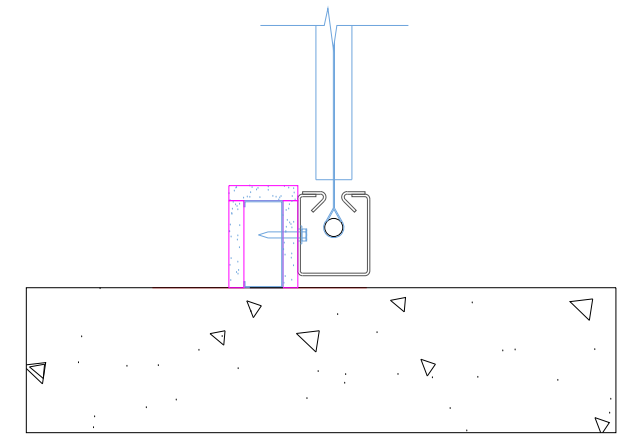
1 GUIDE RAIL TO STEEL STUD
SCALE: 1 1/2" = 1'-0"
APPROVED FIRE RATED INSTALLATION



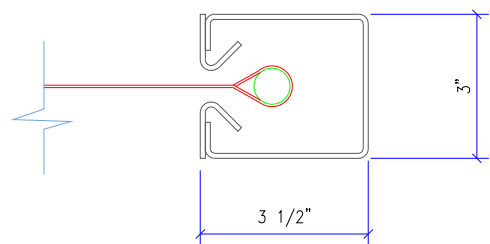
2 GUIDE RAIL TO GLASS MULLION
SCALE: 1 1/2" = 1'-0"
APPROVED FIRE RATED INSTALLATION



5 GUIDE RAIL TO WOOD STUD
SCALE: 1 1/2" = 1'-0"
APPROVED FIRE RATED INSTALLATION



3 GUIDE RAIL TO CONCRETE WALL
SCALE: 1 1/2" = 1'-0"
APPROVED FIRE RATED INSTALLATION



7 M2500 GUIDE DIMENSIONS
SCALE: 1 1/2" = 1'-0"
APPROVED FIRE RATED INSTALLATION

REVISION		
REVISION NUMBER	REVISION DATE	REVISION DESCRIPTION
01	7.28.20	INITIAL RELEASE

QUOTE:
CONFIGURATION:
PROJECT:
DIST.:

DESIGN SET: D1	SIZE B
MODEL: M2500	SHEET 5 OF 5
M2500 SIDE GUIDE DETAILS	
DRAWN: TLM	7.28.2020