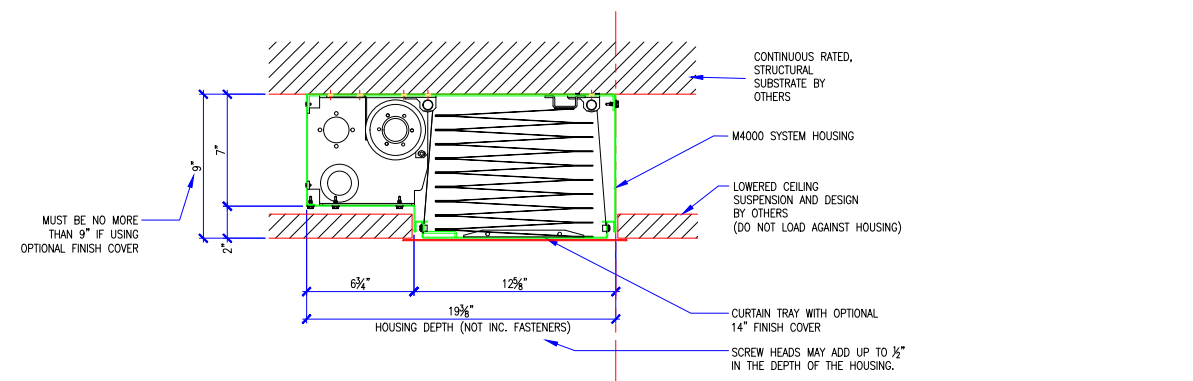
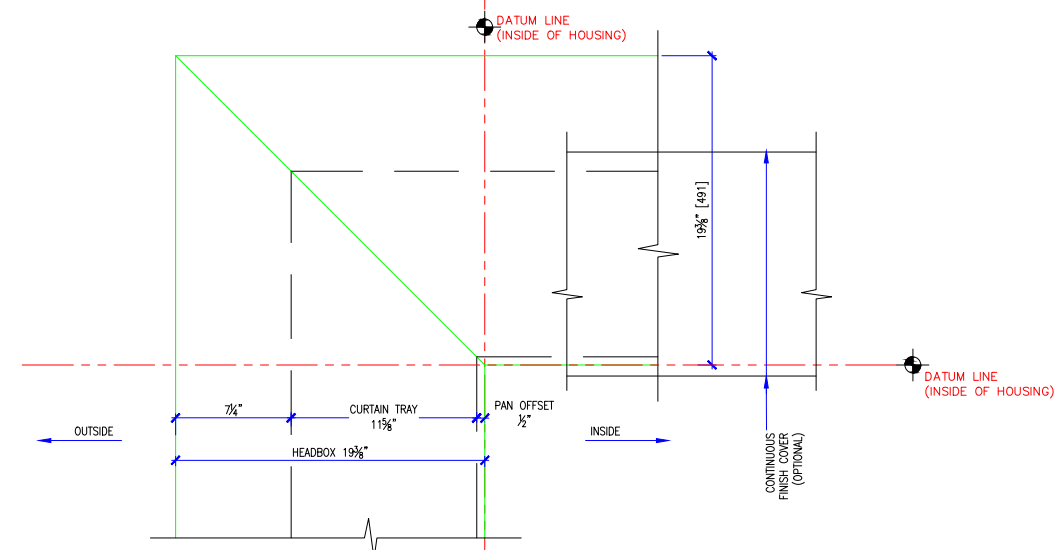


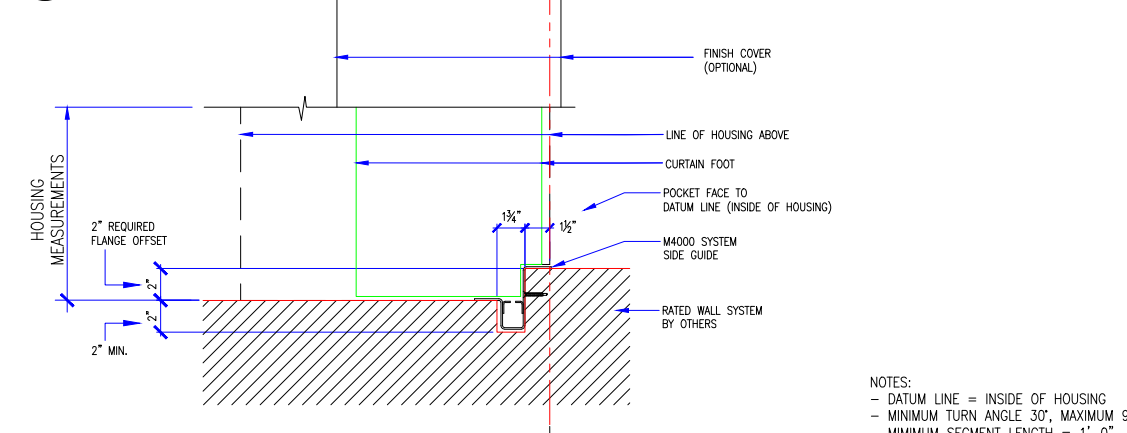
- M4000 FIRE NOTES:**
- SMOKE GUARD FIRE RATED UNITS (HOUSINGS & SIDE GUIDES) TO BE MOUNTED TO A FINISHED, FIRE RATED ASSEMBLY OR STRUCTURE PER YOUR APPLICATION.
 - CLIENT TO PROVIDE CONTINUOUS MOUNTING SURFACE FOR STRUCTURAL AND SHEET METAL ATTACHMENT.
 - TOLERANCE: FLOOR TO CEILING VARIANCE MUST BE WITHIN +/- 1/2" ACROSS LENGTH OF MACHINE.
 - ORDER LENGTHS TO BE AT 1/4" INCREMENTS ONLY.
 - DIMENSIONS TO NOT INCLUDE HEADS OF EXTERNAL FASTENERS.
 - CONTROLLER CONDUIT BY OTHERS
 - CONTROLLER CABLE PROVIDED
 - PROVIDE ACCESS TO CONTROLLER
 - MAX 30 CONDUIT FEET FROM MAIN CONTROLLER TO HOUSING
 - STATIC/DYNAMIC SYSTEM WEIGHT, 40 LBS/FT.
 - 4"-6" CLEARANCE REQ'D AT CURTAIN TRAY FOR INSTALLATION AND SERVICE
 - INTERNAL MOTORS ARE ACCESSIBLE THROUGH HOUSING OPENING WHEN UNIT IS DEPLOYED.



A SECTION DETAIL @ HEADBOX
SCALE: 1" = 1'-0"

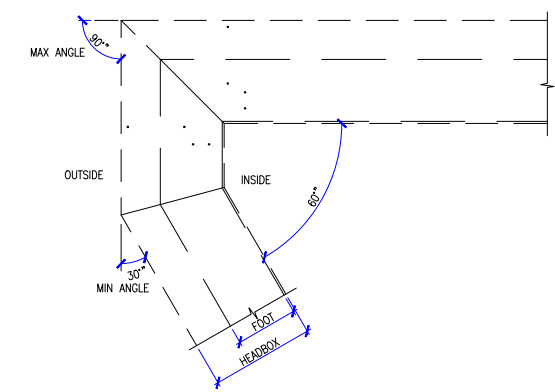


B PLAN DETAIL @ 90° CORNER
SCALE: 1" = 1'-0"

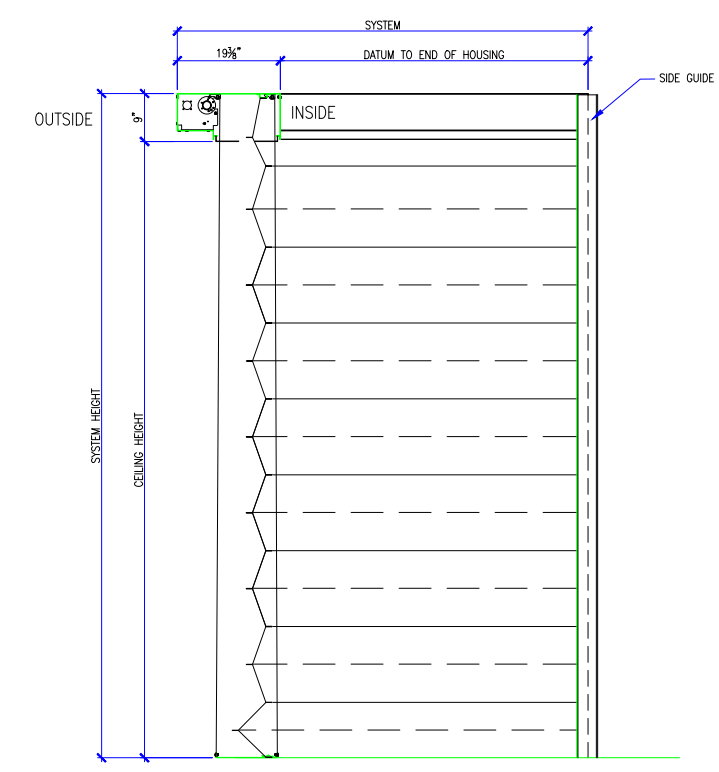


C PLAN DETAIL @ SIDEGUIDE
SCALE: 1" = 1'-0"

- NOTES:**
- DATUM LINE = INSIDE OF HOUSING
 - MINIMUM TURN ANGLE 30°, MAXIMUM 90°
 - MINIMUM SEGMENT LENGTH = 1'-0"
 - SYSTEMS MUST CONTAIN (1) 6'-0" SEGMENT FOR MOTOR AND CONTROLLER
 - APPROXIMATELY (1) MOTOR FOR EVERY 20'-0" OF SYSTEM
 - (1) 120V INPUT BY OTHERS FOR EVERY (3) MOTORS
 - SYSTEM WEIGHT DYNAMIC/STATIC = 40 lb/ft



1 RETURN ANGLE EXAMPLE FOR LESS THAN 90°
SCALE: 1" = 1'-0"



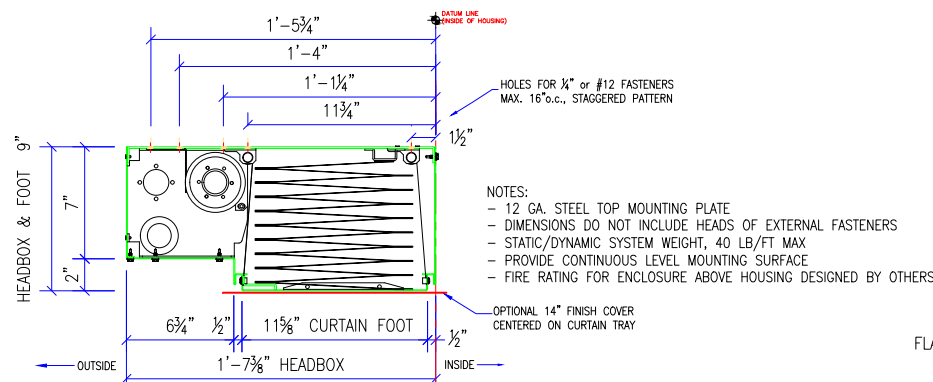
2 M4000 TYPICAL SECTION
SCALE: 1" = 1'-0"

REVISION		
REVISION NUMBER	REVISION DATE	REVISION DESCRIPTION
D1	7.28.20	INITIAL RELEASE
---	---	---

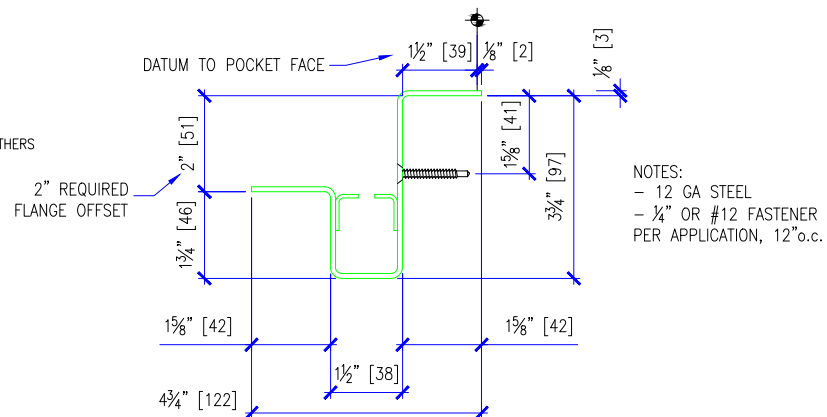
QUOTE: ----
CONFIGURATION: ----
PROJECT: ----
DIST.: ----

DESIGN SET: D1	SIZE B
MODEL: M4000	SHEET
SHEET TITLE: M4000 ELEVATION DETAILS	1 OF 5
DRAWN: TLM	7.28.2020

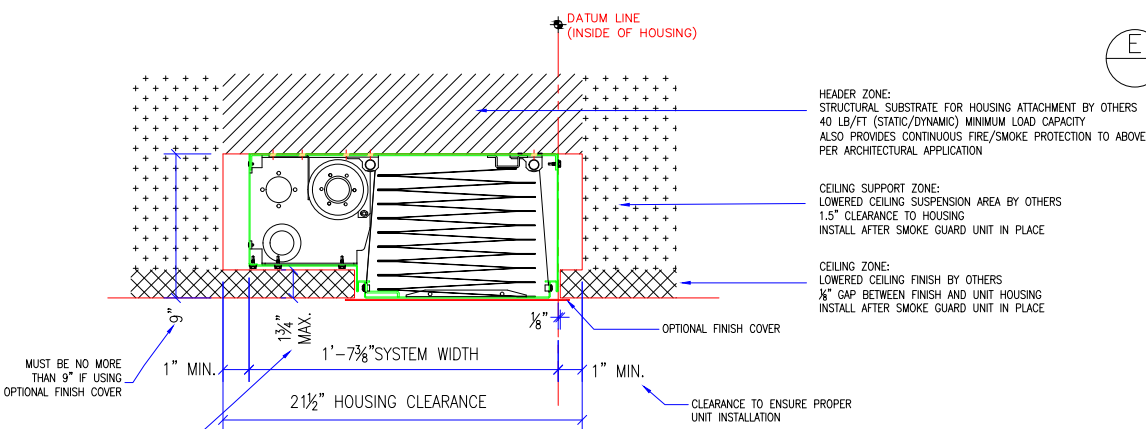
- M4000 FIRE NOTES:
- SMOKE GUARD FIRE RATED UNITS (HOUSINGS & SIDE GUIDES) TO BE MOUNTED TO A FINISHED, FIRE RATED ASSEMBLY OR STRUCTURE PER YOUR APPLICATION.
 - CLIENT TO PROVIDE CONTINUOUS MOUNTING SURFACE FOR STRUCTURAL AND SHEET METAL ATTACHMENT.
 - TOLERANCE: FLOOR TO CEILING VARIANCE MUST BE WITHIN +/- 1/2" ACROSS LENGTH OF MACHINE.
 - ORDER LENGTHS TO BE AT 1/4" INCREMENTS ONLY.
 - DIMENSIONS TO NOT INCLUDE HEADS OF EXTERNAL FASTENERS.
 - CONTROLLER CONDUIT BY OTHERS
 - CONTROLLER CABLE PROVIDED
 - PROVIDE ACCESS TO CONTROLLER
 - MAX 30 CONDUIT FEET FROM MAIN CONTROLLER TO HOUSING
 - STATIC/DYNAMIC SYSTEM WEIGHT, 40 LBS/FT.
 - 4"-6" CLEARANCE REQ'D AT CURTAIN TRAY FOR INSTALLATION AND SERVICE
 - INTERNAL MOTORS ARE ACCESSIBLE THROUGH HOUSING OPENING WHEN UNIT IS DEPLOYED.



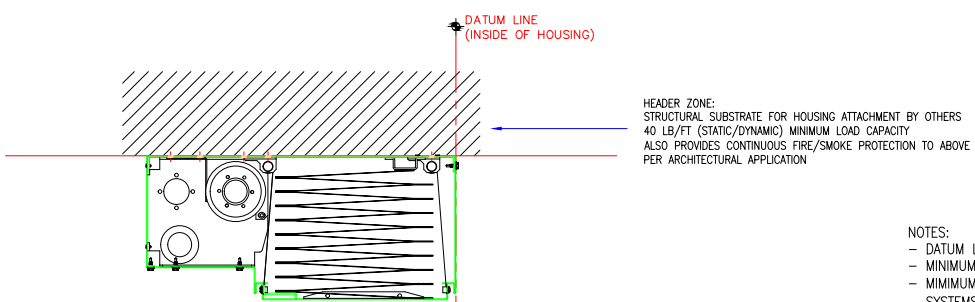
D HEAD BOX - SECTION VIEW
SCALE: 1" = 1'-0"



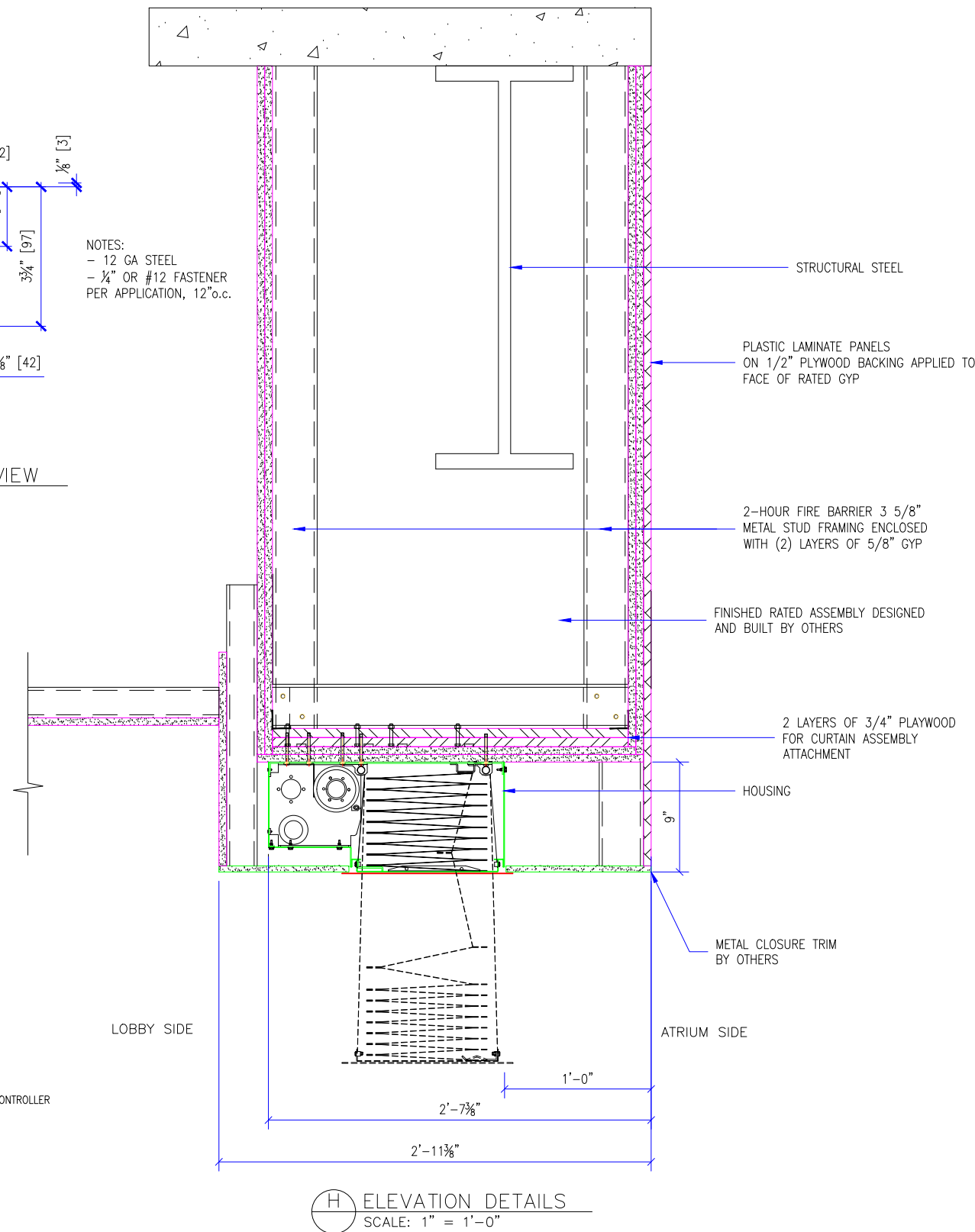
E SIDE GUIDE-PLAN VIEW
SCALE: 3" = 1'-0"



F SECTION DETAIL @ HOUSING FINISH DETAIL CLEARANCES
SCALE: 1" = 1'-0"



G SECTION DETAIL @ HOUSING MINIMUM MOUNTING REQUIREMENTS
SCALE: 1" = 1'-0"



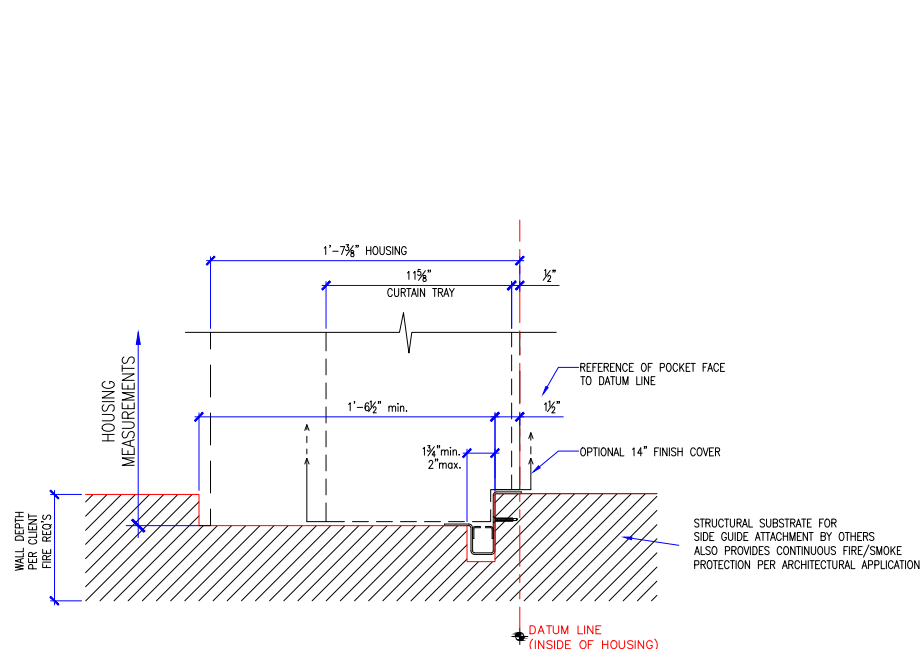
H ELEVATION DETAILS
SCALE: 1" = 1'-0"

REVISION		
REVISION NUMBER	REVISION DATE	REVISION DESCRIPTION
D1	7.28.20	INITIAL RELEASE
---	---	---

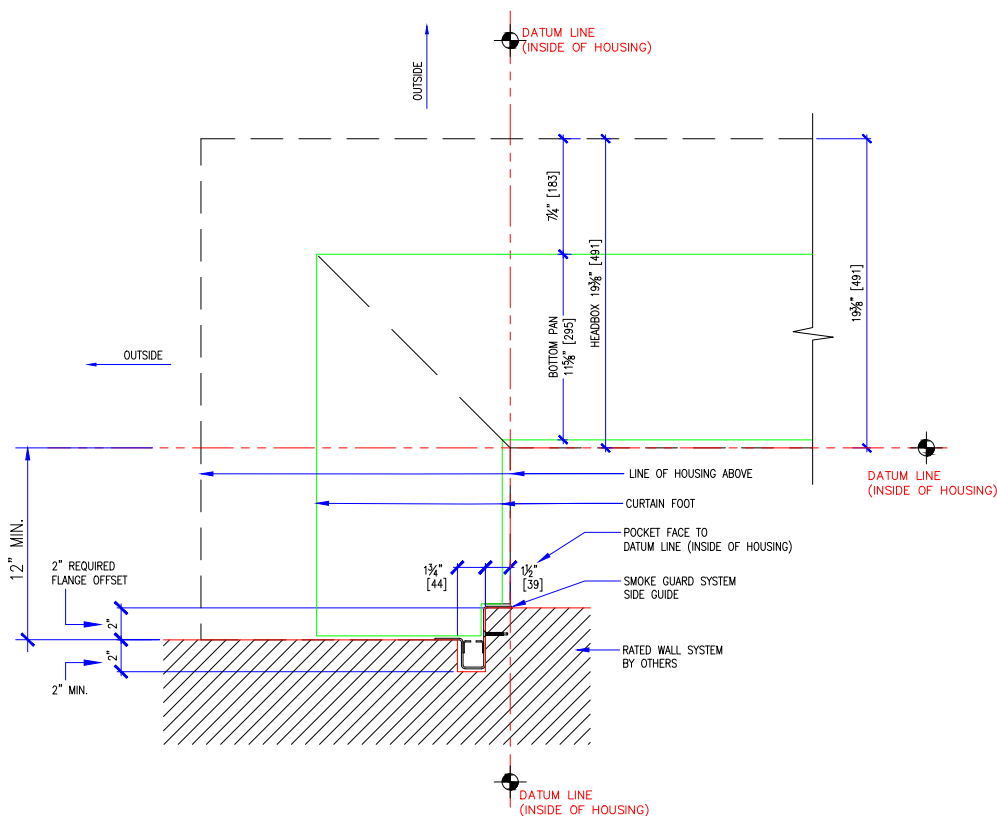
QUOTE: ---
CONFIGURATION: ---
PROJECT: ---
DIST.: ---

DESIGN SET: D1	SIZE B
MODEL: M4000	SHEET
SHEET TITLE: M4000 HEAD BOX DETAILS	2 OF 5
DRAWN: TLM	7.28.2020

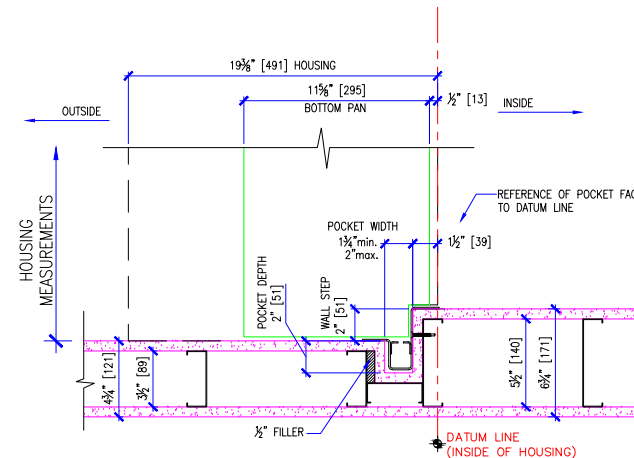
- M4000 FIRE NOTES:**
1. SMOKE GUARD FIRE RATED UNITS (HOUSINGS & SIDE GUIDES) TO BE MOUNTED TO A FINISHED, FIRE RATED ASSEMBLY OR STRUCTURE PER YOUR APPLICATION.
 2. CLIENT TO PROVIDE CONTINUOUS MOUNTING SURFACE FOR STRUCTURAL AND SHEET METAL ATTACHMENT.
 3. TOLERANCE: FLOOR TO CEILING VARIANCE MUST BE WITHIN +/- 1/2" ACROSS LENGTH OF MACHINE.
 4. ORDER LENGTHS TO BE AT 1/4" INCREMENTS ONLY.
 5. DIMENSIONS TO NOT INCLUDE HEADS OF EXTERNAL FASTENERS.
 6. CONTROLLER CONDUIT BY OTHERS
 7. CONTROLLER CABLE PROVIDED
 8. PROVIDE ACCESS TO CONTROLLER
 9. MAX 30 CONDUIT FEET FROM MAIN CONTROLLER TO HOUSING
 10. STATIC/DYNAMIC SYSTEM WEIGHT, 40 LBS/FT.
 11. 4"-6" CLEARANCE REQ'D AT CURTAIN TRAY FOR INSTALLATION AND SERVICE
 12. INTERNAL MOTORS ARE ACCESSIBLE THROUGH HOUSING OPENING WHEN UNIT IS DEPLOYED.



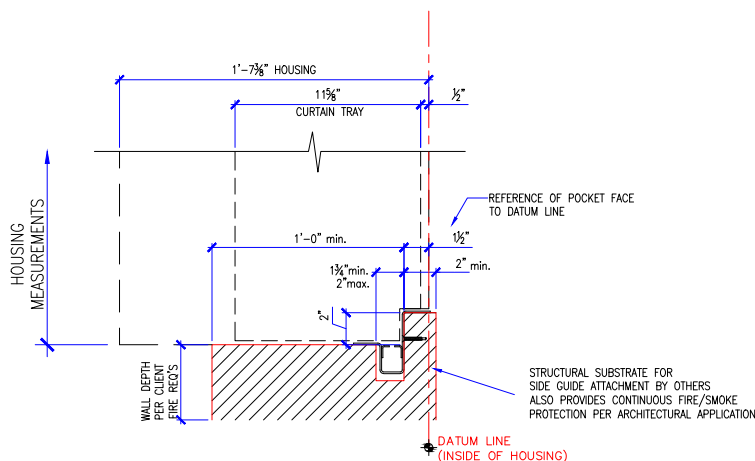
I PLAN DETAIL @ SIDEGUIDE
MINIMUM "POCKET" DIMENSIONS
SCALE: 1" = 1'-0"



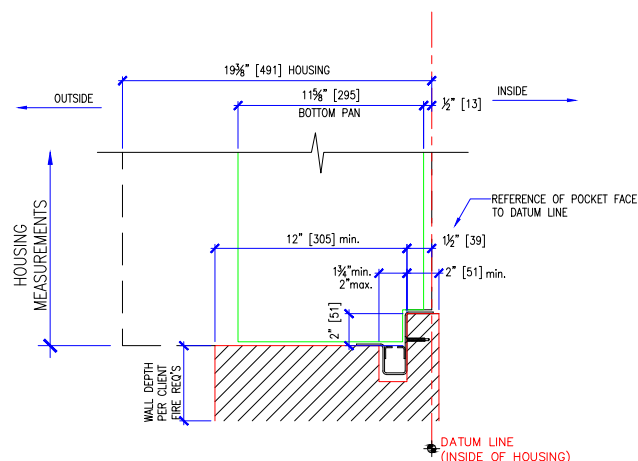
K PLAN DETAIL @ SIDE GUIDE
MINIMUM RETURN @ SIDE GUIDE
SCALE: 1" = 1'-0"



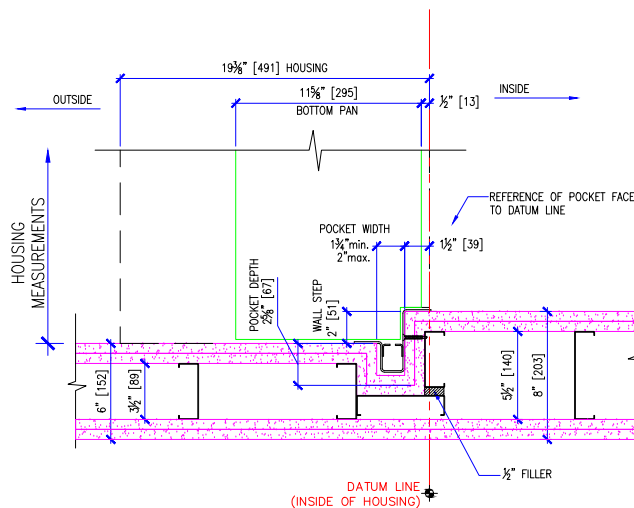
M PLAN DETAIL @ SIDE GUIDE
1 LAYER WALL ASSEMBLY
SCALE: 1" = 1'-0"



J PLAN DETAIL @ SIDE GUIDE
MINIMUM RATED WALL ENVELOPE
SCALE: 1" = 1'-0"



L PLAN DETAIL @ SIDE GUIDE
MINIMUM RATED WALL ENVELOPE
SCALE: 1" = 1'-0"



N PLAN DETAIL @ SIDE GUIDE
2 LAYER WALL ASSEMBLY
SCALE: 1" = 1'-0"

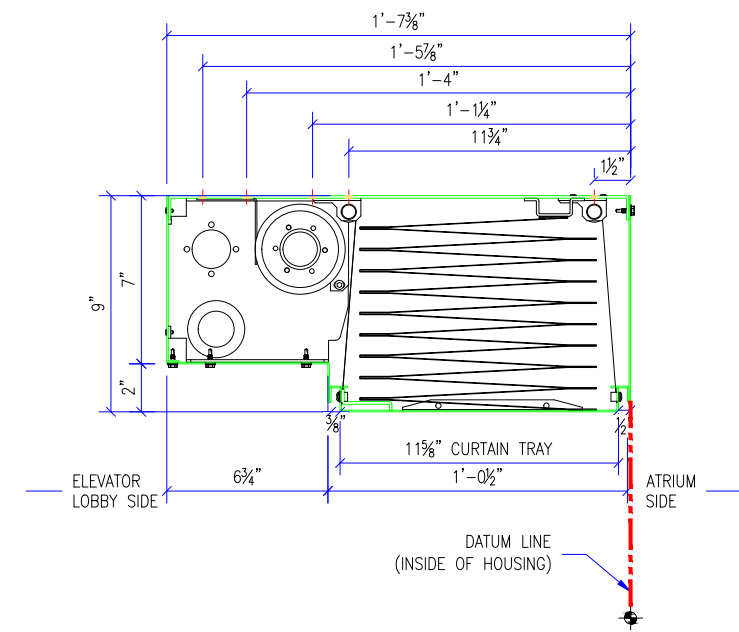
- NOTES:**
- DATUM LINE = INSIDE OF HOUSING
 - MINIMUM TURN ANGLE 30°, MAXIMUM 90°
 - MINIMUM SEGMENT LENGTH = 1'-0"
 - SYSTEMS MUST CONTAIN (1) 6'-0" SEGMENT FOR MOTOR AND CONTROLLER
 - APPROXIMATELY (1) MOTOR FOR EVERY 20'-0" OF SYSTEM
 - (1) 120V INPUT BY OTHERS FOR EVERY (3) MOTORS
 - SYSTEM WEIGHT DYNAMIC/STATIC - 40 lb/ft

REVISION		
REVISION NUMBER	REVISION DATE	REVISION DESCRIPTION
D1	7.28.20	INITIAL RELEASE
---	---	---

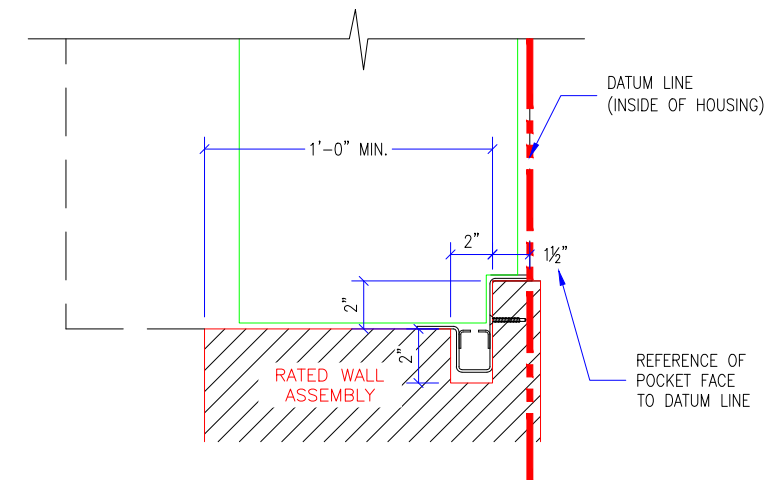
QUOTE: ----
CONFIGURATION: ----
PROJECT: ----
DIST.: ----

DESIGN SET: D1	SIZE B
MODEL: M4000	SHEET
SHEET TITLE: M4000 SIDEGUIDE DETAILS	3 OF 5
DRAWN: TLM	7.28.2020

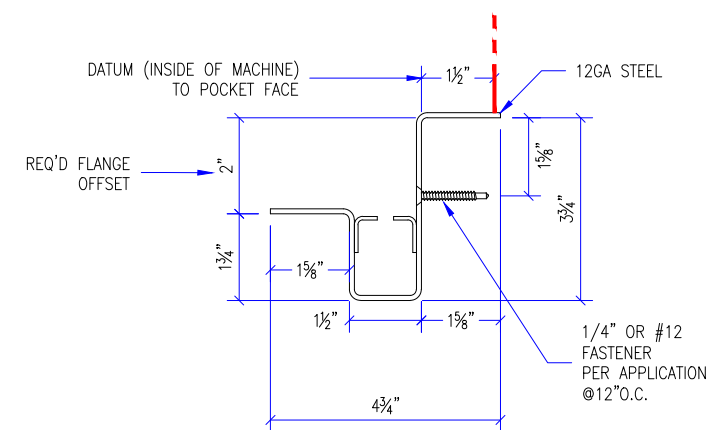
- M4000 FIRE NOTES:**
- SMOKE GUARD FIRE RATED UNITS (HOUSINGS & SIDE GUIDES) TO BE MOUNTED TO A FINISHED, FIRE RATED ASSEMBLY OR STRUCTURE PER YOUR APPLICATION.
 - CLIENT TO PROVIDE CONTINUOUS MOUNTING SURFACE FOR STRUCTURAL AND SHEET METAL ATTACHMENT.
 - TOLERANCE: FLOOR TO CEILING VARIANCE MUST BE WITHIN $\pm 1/2$ " ACROSS LENGTH OF MACHINE.
 - ORDER LENGTHS TO BE AT $1/4$ " INCREMENTS ONLY.
 - DIMENSIONS TO NOT INCLUDE HEADS OF EXTERNAL FASTENERS.
 - CONTROLLER CONDUIT BY OTHERS
 - CONTROLLER CABLE PROVIDED
 - PROVIDE ACCESS TO CONTROLLER
 - MAX 30 CONDUIT FEET FROM MAIN CONTROLLER TO HOUSING
 - STATIC/DYNAMIC SYSTEM WEIGHT, 40 LBS/FT.
 - 4"-6" CLEARANCE REQ'D AT CURTAIN TRAY FOR INSTALLATION AND SERVICE
 - INTERNAL MOTORS ARE ACCESSIBLE THROUGH HOUSING OPENING WHEN UNIT IS DEPLOYED.



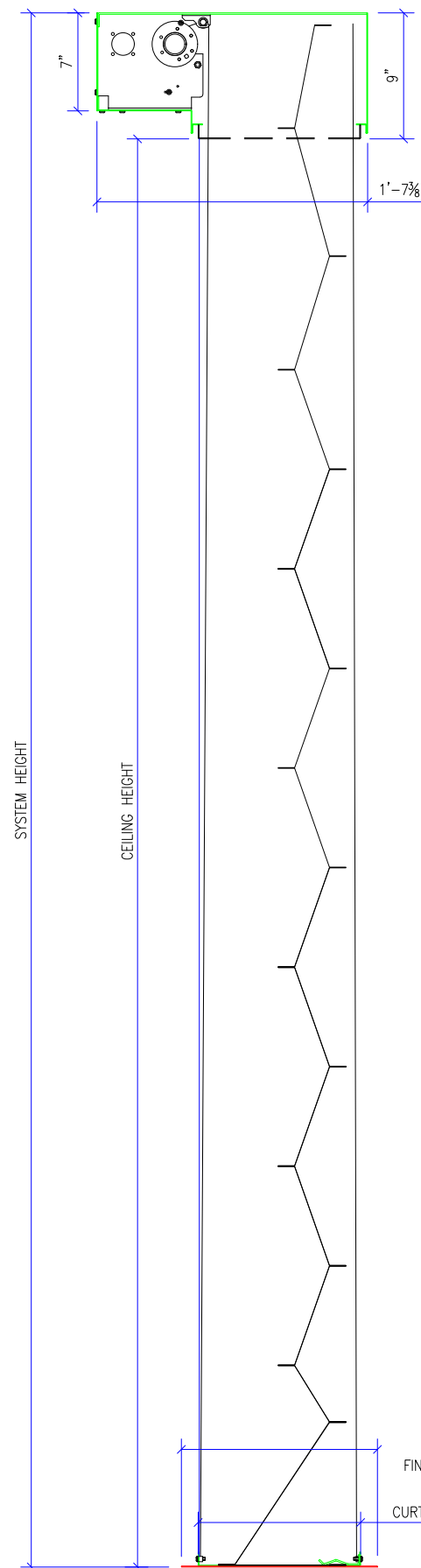
3 M4000 HOUSING DETAIL
SCALE: 1 1/2" = 1'-0"



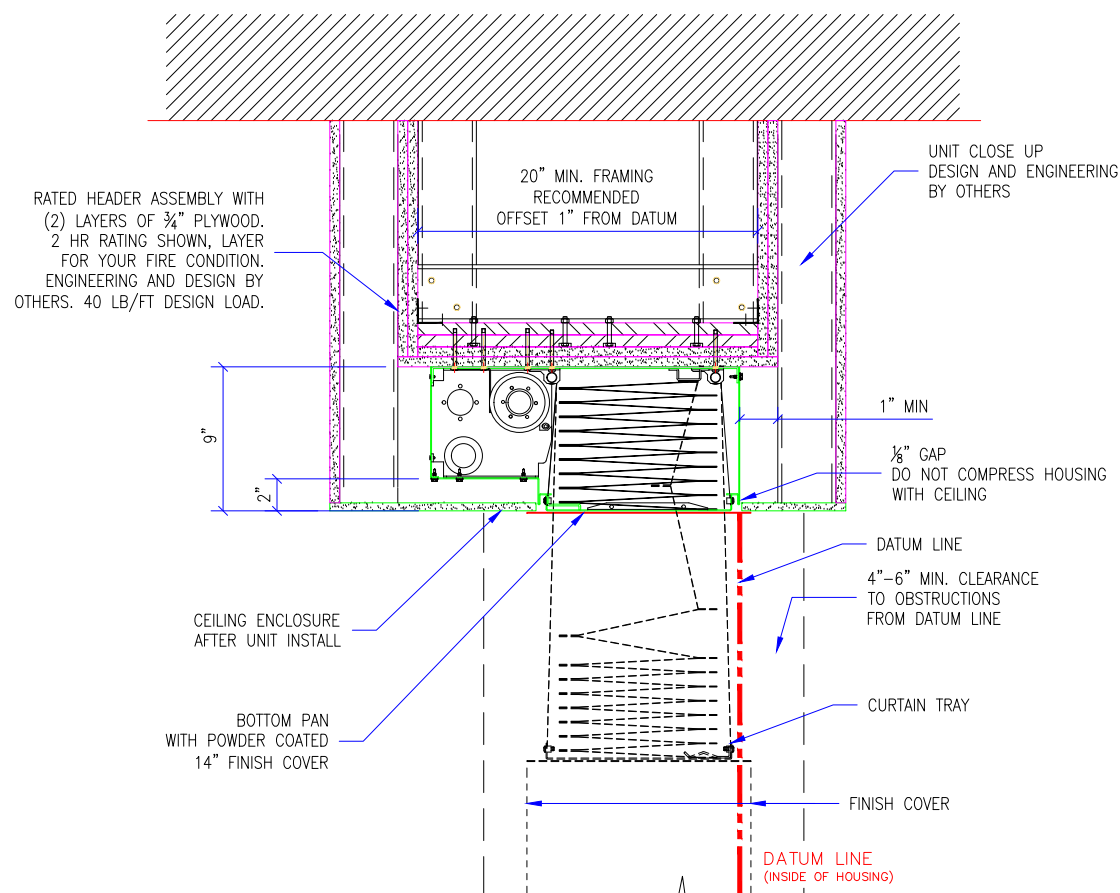
2 M4000 TYPICAL SIDEGUIDE DETAIL
SCALE: 1 1/2" = 1'-0"



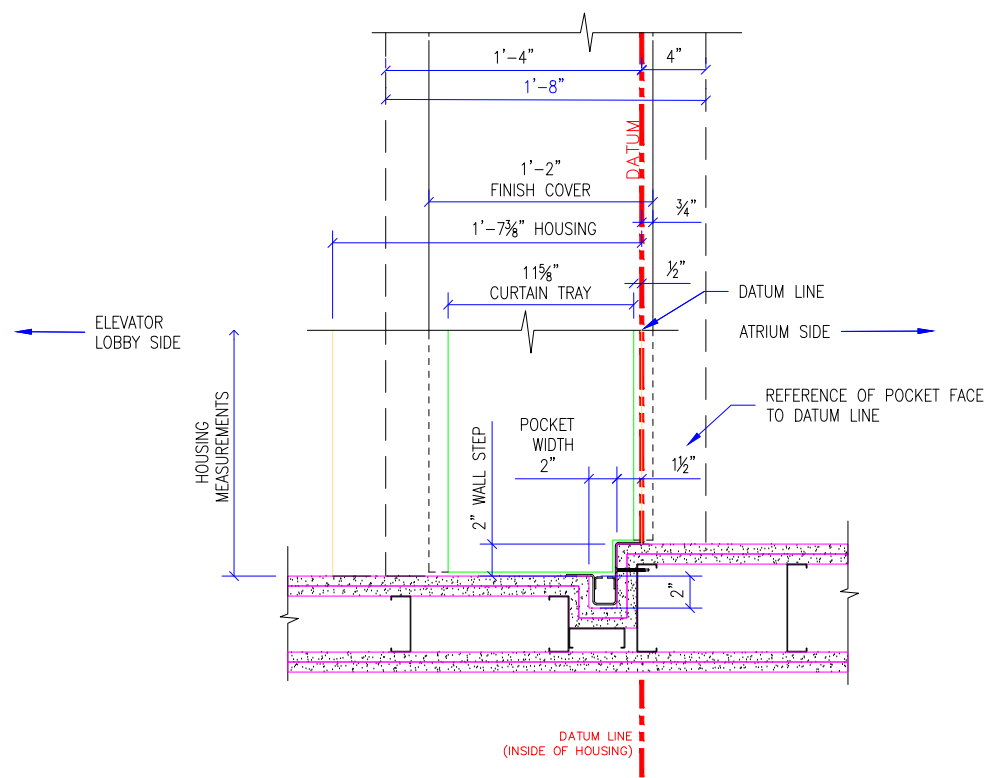
1 M4000 SIDEGUIDE DETAIL
SCALE: 3" = 1'-0"



4 M4000 TYPICAL HEADBOX & SIDEGUIDE DETAIL
SCALE: 1" = 1'-0"



6 M4000 TYPICAL HEADBOX DETAIL
SCALE: 1" = 1'-0"



5 M4000 TYPICAL SIDEGUIDE DETAIL
SCALE: 1" = 1'-0"

REVISION

REVISION NUMBER	REVISION DATE	REVISION DESCRIPTION
D1	7.28.20	INITIAL RELEASE
---	---	---
---	---	---

QUOTE: ---
CONFIGURATION: ---
PROJECT: ---
DIST.: ---

DESIGN SET: D1

MODEL: M4000

SHEET TITLE:
M4000 TYPICAL DETAILS

DRAWN: TLM 7.28.2020

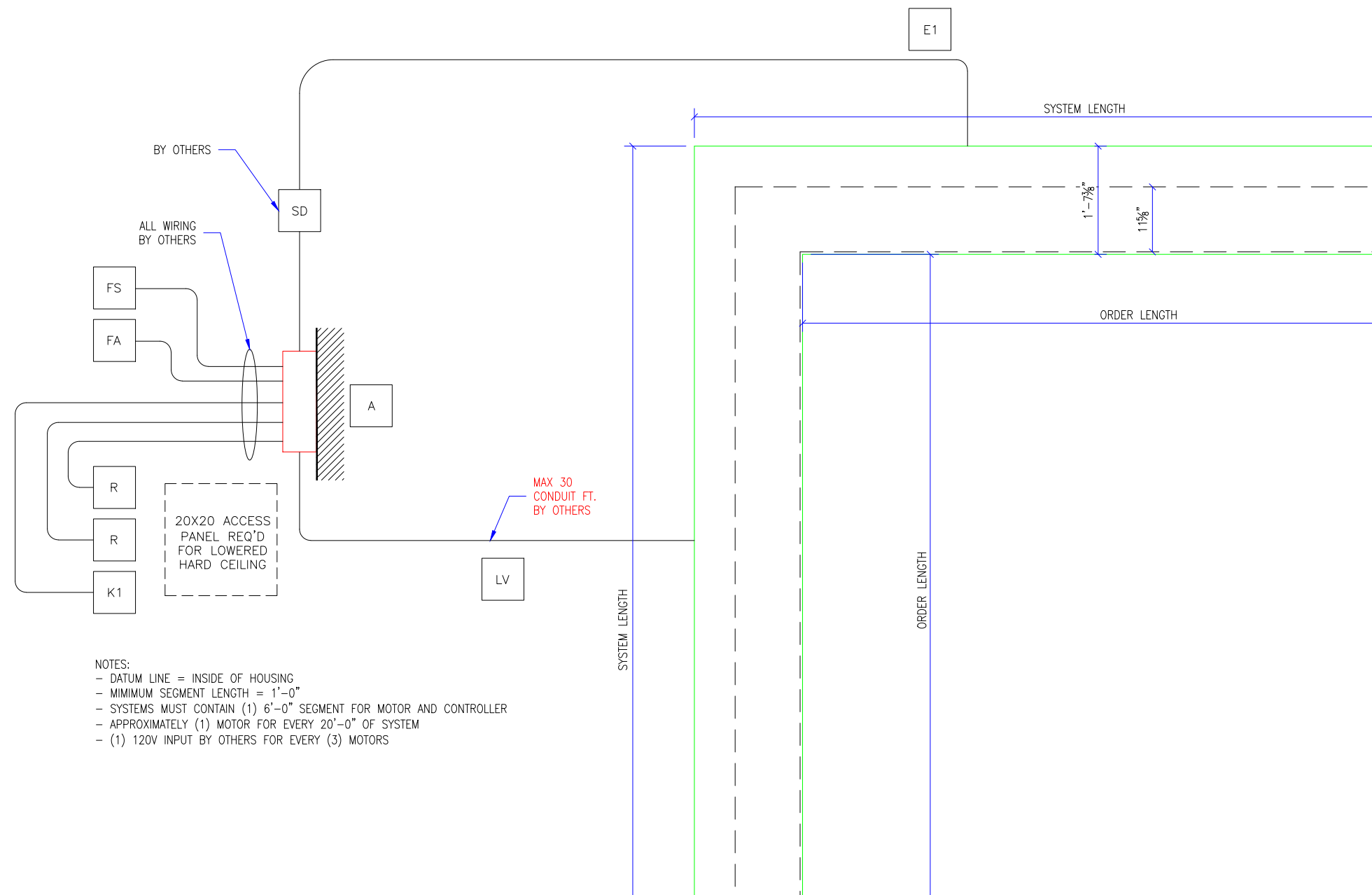
SIZE

B

SHEET

4 OF 5

- LEGEND:
- A MAIN, CONTROLLER (18"x14"x6"), PROVIDE ACCESS
 - LV LOW VOLTAGE, MAX 30 CONDUIT FT. BY OTHERS
 - SD SERVICE DISCONNECT, 120VAC, 20A BY OTHERS
 - E# HIGH VOLTAGE, 120V
 - K KEYED TEST DEPLOY SWITCH, BY S.G.
 - R RETRACT SWITCH
 - FA TO FIRE ALARM
 - FS TO FSCS
 - H# END OF HOUSING
 - SG# DATUM LINE, INSIDE OF HOUSING



- NOTES:
- DATUM LINE = INSIDE OF HOUSING
 - MINIMUM SEGMENT LENGTH = 1'-0"
 - SYSTEMS MUST CONTAIN (1) 6'-0" SEGMENT FOR MOTOR AND CONTROLLER
 - APPROXIMATELY (1) MOTOR FOR EVERY 20'-0" OF SYSTEM
 - (1) 120V INPUT BY OTHERS FOR EVERY (3) MOTORS

1 M4000 ELECTRICAL DETAILS
SCALE: 1/2" = 1'-0"

REVISION		
REVISION NUMBER	REVISION DATE	REVISION DESCRIPTION
D1	7.28.20	INITIAL RELEASE
---	---	---

QUOTE: ----
CONFIGURATION: ----
PROJECT: ----
DIST.: ----

DESIGN SET: D1	SIZE B
MODEL: M4000	SHEET
SHEET TITLE: M4000 ELECTRICAL DETAL	5 OF 5
DRAWN: TLM	7.28.2020