



 **MODERNFOLD**
Track Systems

With humble beginnings in 1925, Modernfold pioneered the movable wall market and today proudly serves as the leader in the industry.

It is our honor to partner with you on your design endeavors and we are committed to seeing your aspirations achieved - be that acoustics, aesthetics, performance, or all of the above.

Acoustics.
Aesthetics.
Performance.





Modernfold Track: Warranty-Backed Strength

Modernfold offers a diverse portfolio of operable and glass wall systems. Complimenting the ability to customize our products, we are proud to offer track options that can also be tailored to your design needs.

It is our commitment to put the best available engineering in your hands so your project can be best served for years to come.

Steel Track

Our ASTM-certified, galvanized steel track systems best support the longevity of your operable wall system. Your design can depend on the:

- durability
- strength
- corrosion-resistance
- weight-bearing properties

Our steel track is hung with retaining brackets to maintain its original performance over time. Annual service agreements will also maintain steel's dependable properties and warranties.

Aluminum Track

Our aluminum track rounds out the portfolio. An economical option, aluminum track can prove accommodating to certain design layouts and panel configurations.

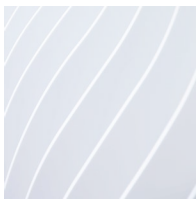




ComfortDrive: The Future is Now

ComfortDrive® is the preeminent movable wall suspension system ushering your design into the future. As a service to occupants, ComfortDrive® delivers a fully-automated panel system with the push of a button.

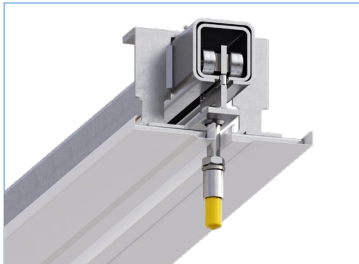



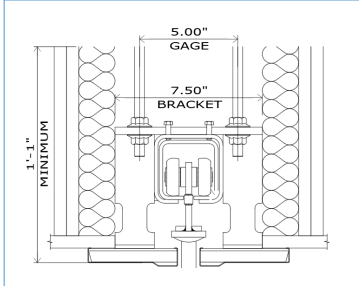
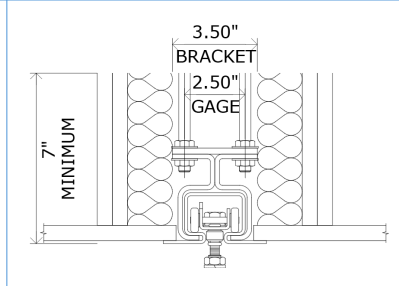
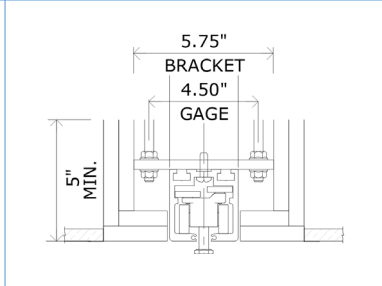
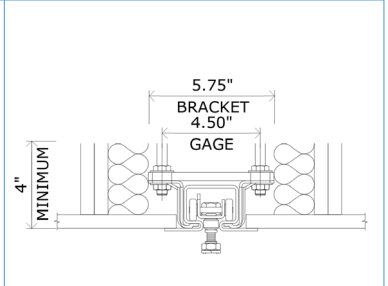
ComfortDrive®'s transformative technology pairs with either Acousti-Clear® Motorized or PureView® glass panel systems to offer a selection of preprogrammed positions suited to your space division needs. Acousti-Clear® Motorized on ComfortDrive® can specifically provide enhanced sound control offering up to 51 STC, while PureView® on ComfortDrive® can provide flexibility up to 37 STC. ComfortDrive® is UL certificated ensuring that safety requirements are met.

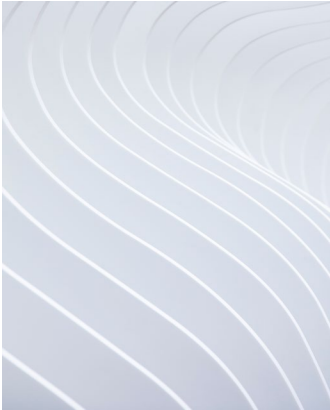


SmartTrack™ Systems

Modernfold takes pride in offering high-performance, long-lasting suspension systems.

Modernfold's SmartTrack™ technology utilizes programmable track to direct panels to a variety of selected and customized layouts. Using predetermined carriers along the track, panels manually move as the track directs, putting themselves in the correct position and offering error-free set up.

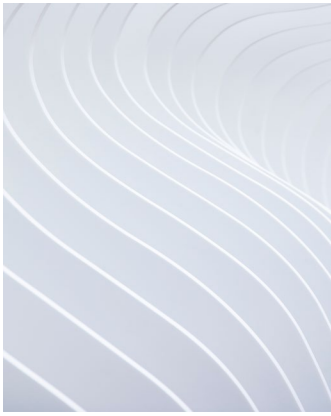
			
#14 SmartTrack™	#17 SmartTrack™	G330 SmartTrack™	#17G SmartTrack™
Acusti-Seal® Encore Acusti-Seal® Legacy Acusti-Seal® Premier	Acusti-Seal® Encore Acusti-Seal® Legacy Acusti-Seal® Premier	Acusti-Clear® PureView® PureView® GP	Acusti-Clear® Automatic
Single panel configuration*	Single panel configuration*	Single panel configuration*	Single panel configuration*
20-year warranty	10-year warranty	5-year warranty	5-year warranty
Steel track – ASTM A607 Steel trolley	Steel track – ASTM A1011 Steel trolley	Aluminum track Steel trolley with vinyl rollers	Steel track – ASTM A1011 Steel trolley with vinyl rollers
			
Legacy or Premier 28 STC – 6 lbs./sq. ft. Premier 47 STC – 7 lbs./sq. ft. Legacy or Premier 50 STC – 8 lbs./sq. ft. Legacy 52 STC – 11 lbs./sq. ft. Encore 52 STC – 8.2 lbs./sq. ft. Encore 54 STC – 9.5 lbs./sq. ft. Encore 56 STC – 11.9 lbs./sq. ft.		PureView or GP 15 STC – 7.5 lbs./sq. ft.** PureView 33 STC – 7.5 lbs./sq. ft.** PureView 35 STC – 7.5 lbs./sq. ft.** PureView 37 STC – 7.5 lbs./sq. ft.** Acusti-Clear 45 STC – 10 lbs./sq. ft. Acusti-Clear 50 STC – 10 lbs./sq. ft. Acusti-Clear 51 STC – 11.5 lbs./sq. ft.	
*These tracks are also used in straight track applications for paired panels. **#17G SmartTrack is only available for Acusti-Clear Automatic.			



Multi-Directional Track Systems

The RT100 and RT200 right angle suspension systems provide an alternative where grid layouts are a must. Right angle track systems allow the user to set up and arrange the partitions in numerous configurations.

<p>RT100 Right Angle</p>	<p>RT200 Right Angle</p>	<p>#17 Right Angle</p>	<p>G330 Right Angle</p>
<p>Acousti-Seal® Encore, Acousti-Seal® Legacy*, & Acousti-Seal® Premier</p>	<p>Acousti-Seal® Encore, Acousti-Seal® Legacy*, & Acousti-Seal® Premier</p>	<p>Acousti-Seal® Encore, Acousti-Seal® Legacy, & Acousti-Seal® Premier</p>	<p>Acousti-Clear® Motorized & Acousti-Clear® Automatic</p>
<p>Single panel configuration</p>	<p>Single panel configuration</p>	<p>Single panel configuration</p>	<p>Single panel configuration</p>
<p>5-year warranty</p>	<p>5-year warranty</p>	<p>2-year warranty</p>	<p>2-year warranty</p>
<p>Aluminum track Steel trolley with vinyl rollers</p>	<p>Aluminum track Steel trolley with steel and vinyl rollers</p>	<p>Steel track – ASTM A1011 Steel trolley with nylon puck</p>	<p>Aluminum track Steel trolley with vinyl rollers</p>
<p>Legacy or Premier 28 STC – 6 lbs./sq. ft. Premier 47 STC – 7 lbs./sq. ft. Legacy or Premier 50 STC – 8 lbs./sq. ft. Legacy 52 STC – 11 lbs./sq. ft. Encore 52 STC – 8.2 lbs./sq. ft. Encore 54 STC – 9.5 lbs./sq. ft. Encore 56 STC – 11.9 lbs./sq. ft.</p>			<p>45 STC – 10 lbs./sq. ft. 50 STC – 10 lbs./sq. ft. 51 STC – 11.5 lbs./sq. ft.</p>
<p>*Not available for Acousti-Seal® Legacy Fire Rated</p>			



Electric Track Systems

Modernfold's electric track systems support our fully-automated, continuously hinged panel systems with state-of-the-art technology and safety protocols. With push button or keyed switches, the electric tracks facilitate set up without any manual effort required.

<h3>#14 Electric</h3>	<h3>#20 Electric</h3>	<h3>#30 Electric</h3>
<p>Acousti-Seal® Encore Automated, Legacy Electric, & Premier Electric</p>	<p>Acousti-Seal® Encore Automated</p>	<p>Acousti-Seal® Encore Automated, Legacy Electric, & Premier Electric</p>
<p>Continuously hinged panel configuration</p>	<p>Continuously hinged panel configuration</p>	<p>Continuously hinged panel configuration*</p>
<p>10-year warranty</p>	<p>10-year warranty</p>	<p>10-year warranty</p>
<p>Steel track – ASTM A607 Steel trolley</p>	<p>Steel track – ASTM A500 Steel trolley</p>	<p>Aluminum track Steel trolley with nylon wheels</p>
<p>Legacy or Premier 28 STC – 6 lbs./sq. ft. Premier 47 STC – 7 lbs./sq. ft. Legacy or Premier 50 STC – 8 lbs./sq. ft. Legacy 52 STC – 11 lbs./sq. ft. Encore 52 STC – 8.2 lbs./sq. ft. Encore 54 STC – 9.5 lbs./sq. ft. Encore 56 STC – 11.9 lbs./sq. ft.</p>		
<p>*This track also used in straight track applications for paired panels.</p>		



Single Panel

Single panel systems use simplicity to cure complexity. It is the best choice on the market for large openings and complex layouts. Our single panel systems can scale high ceiling requirements and provide a multitude of room setups. Design options are the most robust with a single panel system including egress and hardware.



Paired Panel

Paired panel systems provide the ultimate in ease and flexibility. Quick setup is possible with paired panel operable walls, as panels are hinged together in groups of two and move smoothly in a straight line. Requiring no auxiliary storage track or support and using automatic bottom seals, paired panel operable partition systems are suited for applications that require exceptional durability, acoustic control, and frequent use.



Continuously Hinged

Continuously hinged panel systems provide effortless setup and state-of-the-art safety systems. Whether selecting a fully-automated electrical operation or a manual glass wall, our construction, acoustical top and bottom seals, and custom finish options leave Modernfold's continuously-hinged operable walls the leader in the industry.





Truss System: Support When You Need it

The Modernfold Truss System is a floor-supported system designed for the proper support of our operable and glass walls when overhead support is unavailable.

Our Truss System is available for Acousti-Seal®, Acousti-Clear®, PureView®, and Accordion Doors. “Center stack” layouts are available for the paired panel models. “Side stack” layouts are available for single panel models.

The Truss System is available for openings spanning 12’-8” all the way up to 34’ and can support various panel height increments.

